

Module 6

NP-Complete Problems

and

Heuristics

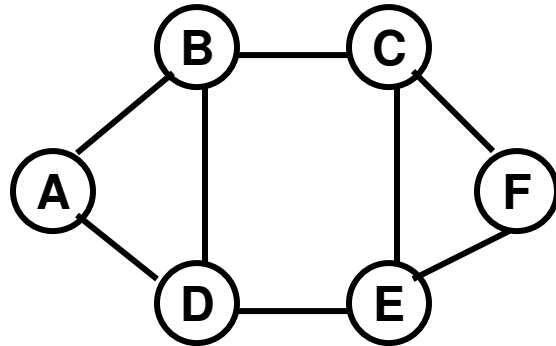
Dr. Natarajan Meghanathan
Professor of Computer Science
Jackson State University
Jackson, MS 39217
E-mail: natarajan.meghanathan@jsums.edu

Optimization vs. Decision Problems

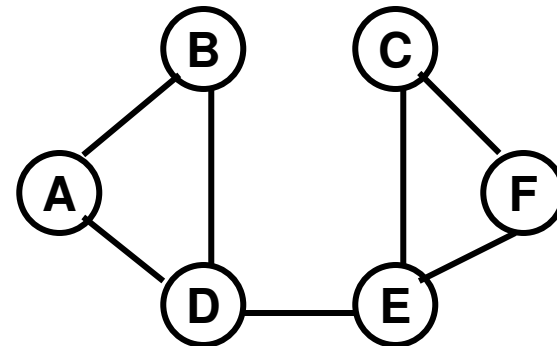
- A problem is an optimization problem if we want to maximize or minimize the solution.
 - Example: Minimum Spanning tree problem: Given a graph, we want to determine a spanning tree whose sum of the edge weights is the minimum.
- A problem is a decision problem if we want to get an Yes or NO answer as the solution.
 - Example: 2-Colorable (Bipartite) problem: Given a graph and two colors (say Black and White), we want to determine whether we can color the end vertices of each edge with the two different colors.

Hamiltonian Circuit (HC) Problem

- Tour: A sequence of vertices such that the starting and ending vertex is the same, and the rest of the vertices appear exactly once in the sequence.



Tour: A – B – C – D – E – D – A

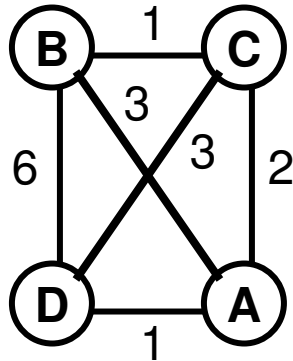


There is NO tour for this graph

- Given a graph (no edge weights), the Hamiltonian Circuit (HC) problem is to determine whether or not the graph has a tour.
- The HC problem is a decision problem.

Traveling Salesman Problem (TSP)

- Given a graph with edge weights, the TSP problem is to determine a minimum weight tour (if a tour exists) for the graph.



Tours	Weight
A – B – C – D – A	10
A – B – D – C – A	8
A – C – B – D – A	14
A – C – D – B – A	8
A – D – C – B – A	10
A – D – B – C – A	14

Decision version: Is there a tour of weight W ?

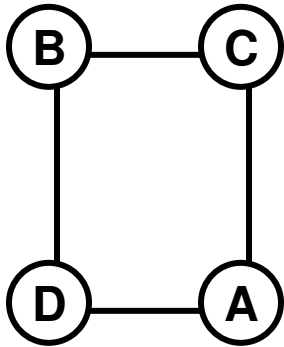
Optimization version: Find a tour of the minimum possible weight?

Polynomial-Time Reduction: $HC \leq_p TSP$

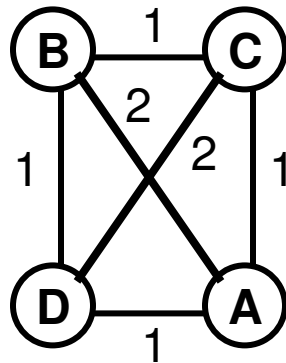
- HC Problem: Given a graph $G = (V, E)$ with no edge weights, determine whether there exists a HC in G .
- Reduction Step: Transform $G = (V, E)$ to a weighted graph $G^* = (V, E^*)$, where $E^* = V(V-1)/2$, as follows:
 - For every pair (u, v) for which there exists an edge in G , create an edge (u, v) of weight 1 in G^*
 - For every pair (u, v) for which there is NO edge in G , create an edge (u, v) of weight 2 in G^*
- If G has a HC, then we should be able to find a minimum weight tour of total weight equal to the number of vertices (V) in G^* .
 - The weight of each edge in the minimum weight tour will be 1.
- If G has no HC, then the minimum weight tour in G^* would be of weight greater than V .
 - There should be at least an edge of weight 2 in the tour.
- Thus, we could find a polynomial-time solution for the HC problem if there exists a polynomial-time algorithm for the TSP problem.

Time Complexity
 $V(V-1)/2$
 $= \Theta(V^2)$

HC \leq_p TSP: Example



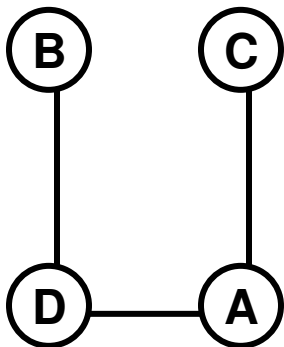
Graph G



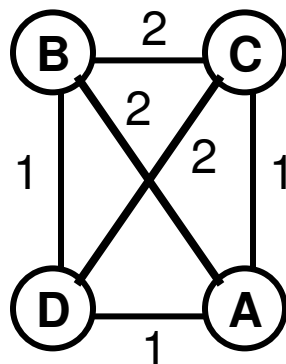
Graph G*

A – C – B – D – A

The weight of each edge in the above minimum weight tour is 1, leading to a total weight of 4, the number of vertices. All edges (of weight 1) in this minimum weight tour also exist in G. Hence, G has a HC.



Graph G



Graph G*

A – C – B – D – A

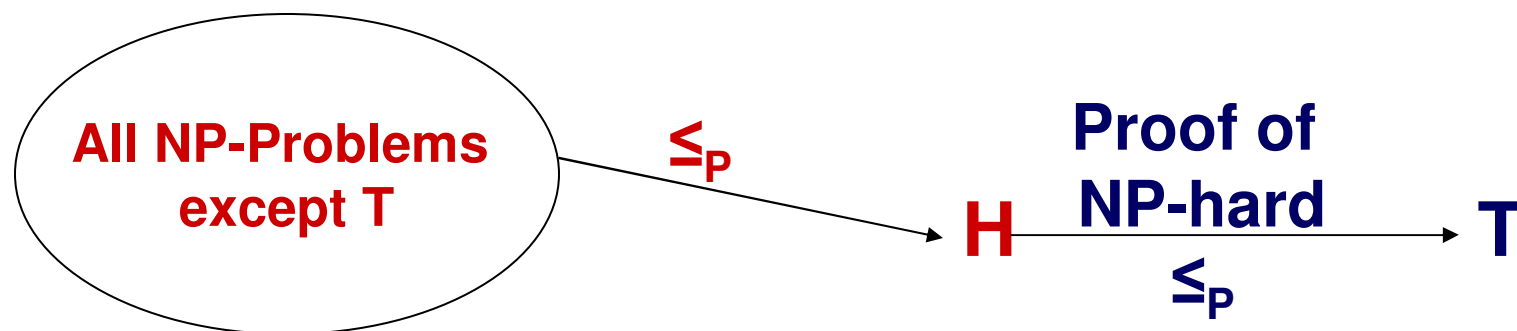
Any minimum weight tour of G* has to include at least one edge weight of 2, as we cannot find a tour that only involves all edges of weight 1. This implies the original graph G does not have a HC.

P, NP Problems

- A problem is said to belong to the class NP (non-deterministic polynomial) if:
 - Step 1: We can at least guess (or be able to determine) an optimal solution or decision solution in polynomial time
 - Step 2: Check the correctness of the solution of Step 1 in polynomial time
- A problem in the class NP is said to also belong to the class P if (Step 1) the optimal/decision solution can be determined in polynomial time.
- That is, all problems of class P are also said to belong to the class NP, but not vice-versa (at least for now!!).
- Example of problems in class P: Sorting, Shortest Path problem, Minimum Spanning tree problem, etc.
- Example of problems in class NP that do not belong to class P: Hamiltonian circuit problem, Traveling salesman problem (decision version), Maximum clique problem, etc.

NP-hard Problems

- A problem is said to be NP-hard if every problem in the class NP is polynomial-time reducible to it.
- The TSP problem is a NP-hard problem because every problem in the class NP (like the HC problem) is polynomial-time reducible to it.
- To prove a problem T (like the TSP problem) is NP-hard, we simply take a known NP-hard problem H (like the HC problem that is already proven to be NP-hard) and prove $H \leq_p T$.



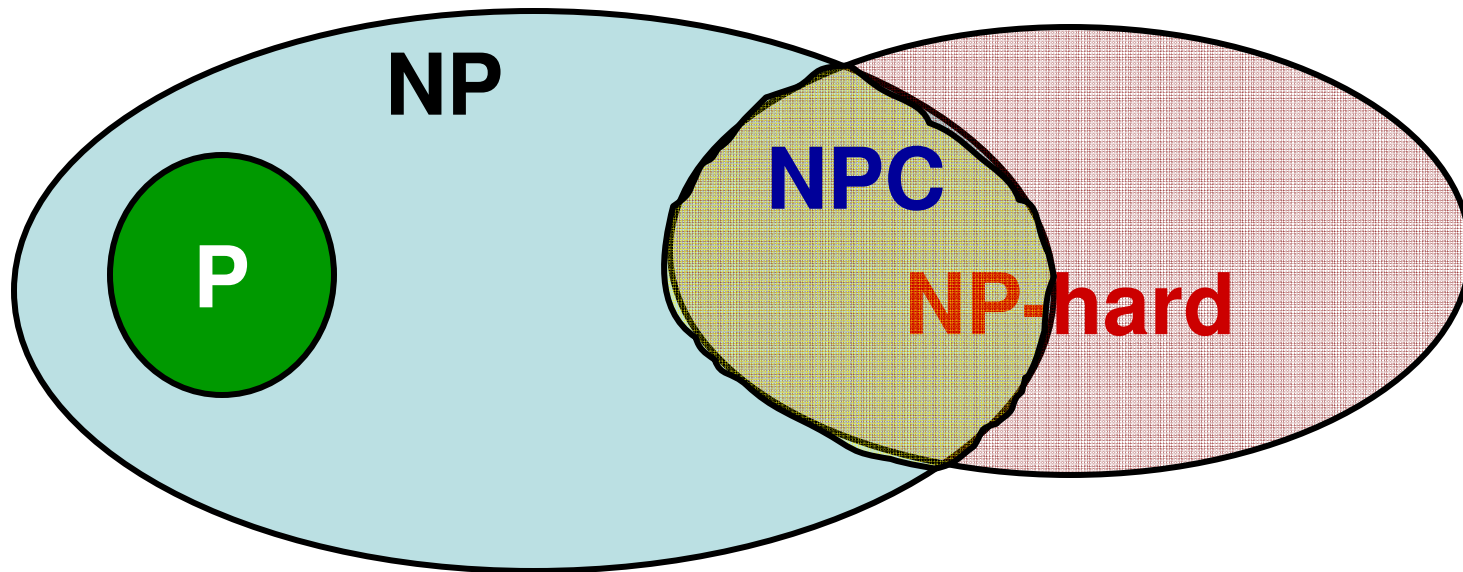
NP-Complete (NPC) Problems

- A problem X is said to be NP-Complete if:
 - X is in NP
 - X is NP-hard
- If there exists a polynomial time algorithm for any optimization or decision problem (say Y) in the class NP-complete, then every problem X in the class NP can be polynomial-time reducible to Y and solved in polynomial-time. In such a case, $P = NP$.
- As of now, we do not have a polynomial-time algorithm for any NP-complete problem. But, we are not able to prove that there will never be a polynomial-time algorithm for any NP-complete problem. Hence, it is not clear whether or not $P = NP$.
- For several NP-complete problems, there exists heuristics (algorithms) that given an approximation solution (not guaranteed to be an optimal solution) in polynomial-time.

P, NP, NP-hard, NPC

As of now (and most likely forever!)

$P \neq NP$



As we can see, there are problems that are NP-hard but not in NP.

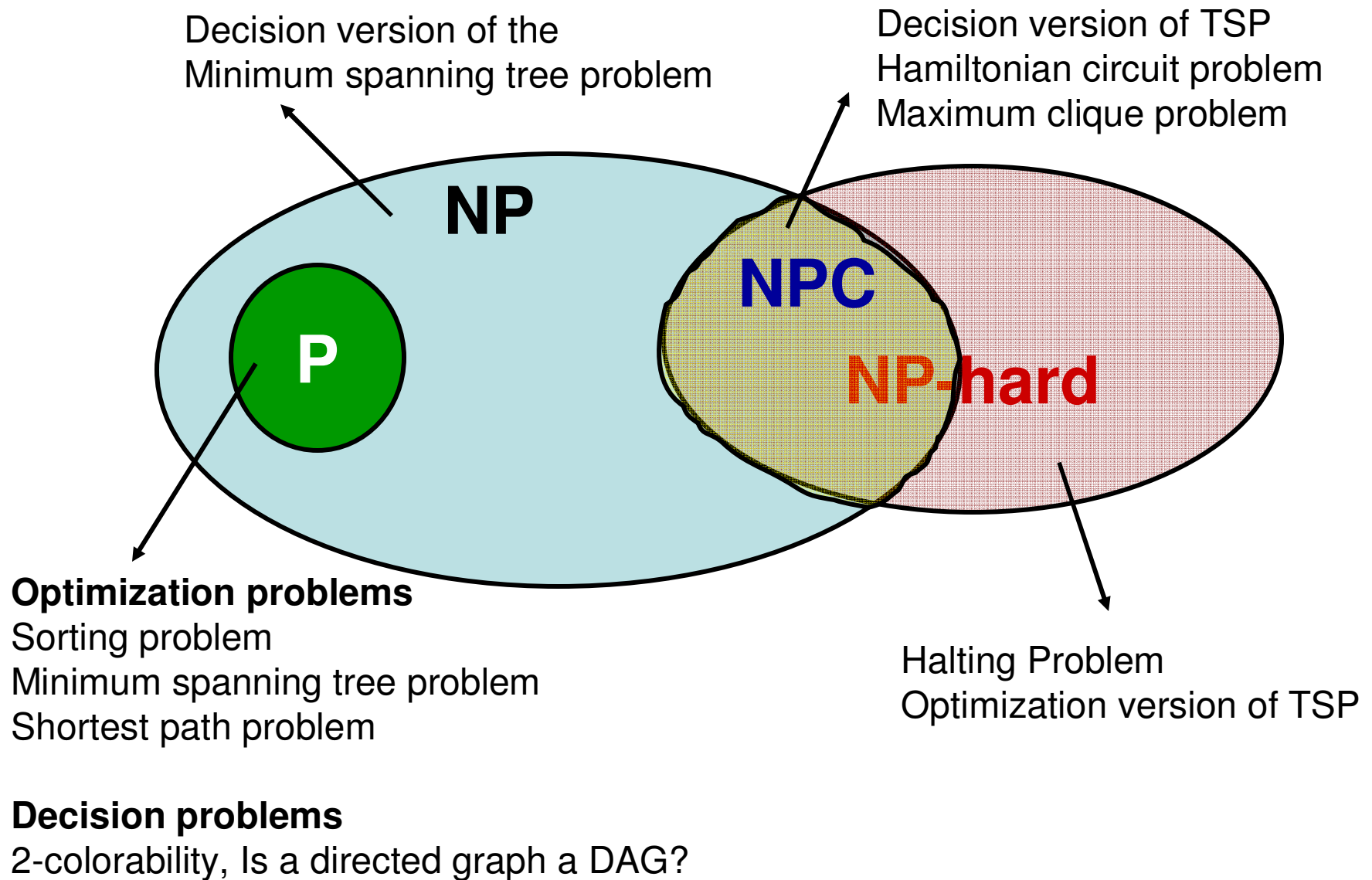
One such problem is the halting problem

Halting Problem: Given a program and its input, will it run for ever?

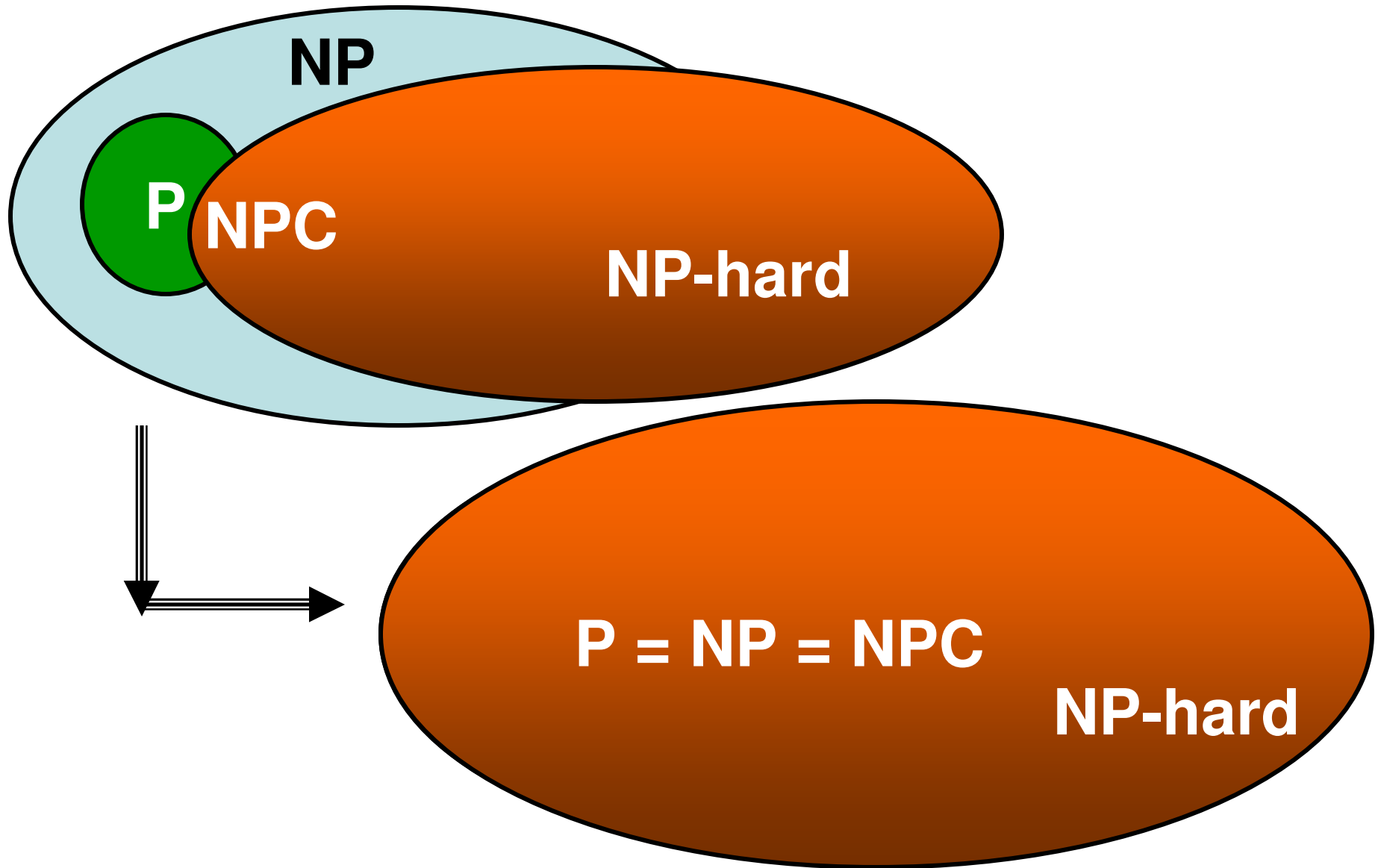
This is a decision problem to which every NP-problem can be reduced in

Polynomial-time, but there is no way to even guess a solution for this problem.

P, NP-hard, NPC: Sample Problems



The $P \stackrel{?}{=} NP$ Dilemma



Heuristic 1: Nearest Neighbor (NN) Heuristic for the TSP Problem

- Start the tour with a particular vertex, and include it to the tour.
- For every iteration, a vertex (from the set of vertices that are not yet part of the tour) that is closest to the last added vertex to the tour is selected, and included to the tour.
- The above procedure is repeated until all vertices are part of the tour.
- **Time Complexity:** It takes $O(V)$ times to choose a vertex among the candidate vertices for inclusion as the next vertex on the tour. This procedure is repeated for $V-1$ times. Hence, the time complexity of the heuristic is $O(V^2)$.

	v1	v2	v3	v4	v5	v6
v1	0	5	3	8	6	4
v2	5	0	5	4	3	2
v3	3	5	0	5	6	7
v4	8	4	5	0	9	5
v5	6	3	6	9	0	6
v6	4	2	7	5	6	0

Initial (pick v1): v1						
	v1	v2	v3	v4	v5	v6
v1	0	5	3	8	6	4
v2	5	0	5	4	3	2
v3	3	5	0	5	6	7
v4	8	4	5	0	9	5
v5	6	3	6	9	0	6
v6	4	2	7	5	6	0

NN Heuristic Example (contd..)

Iteration 1 (pick v3; $0+3 = 3$): v1 - v3

	v1	v2	v3	v4	v5	v6
v1	0	5	3	8	6	4
v2	5	0	5	4	3	2
v3	3	5	0	5	6	7
v4	8	4	5	0	9	5
v5	6	3	6	9	0	6
v6	4	2	7	5	6	0

Iteration 3 (pick v6; $8+2=10$): v1 - v3 - v2 - v6

	v1	v2	v3	v4	v5	v6
v1	0	5	3	8	6	4
v2	5	0	5	4	3	2
v3	3	5	0	5	6	7
v4	8	4	5	0	9	5
v5	6	3	6	9	0	6
v6	4	2	7	5	6	0

Iteration 2 (pick v2; $3+5=8$): v1 - v3 - v2

Break the tie by choosing the vertex with the lower ID

	v1	v2	v3	v4	v5	v6
v1	0	5	3	8	6	4
v2	5	0	5	4	3	2
v3	3	5	0	5	6	7
v4	8	4	5	0	9	5
v5	6	3	6	9	0	6
v6	4	2	7	5	6	0

Iteration 4 (pick v4; $10+5=15$): v1 - v3 - v2 - v6 - v4

	v1	v2	v3	v4	v5	v6
v1	0	5	3	8	6	4
v2	5	0	5	4	3	2
v3	3	5	0	5	6	7
v4	8	4	5	0	9	5
v5	6	3	6	9	0	6
v6	4	2	7	5	6	0

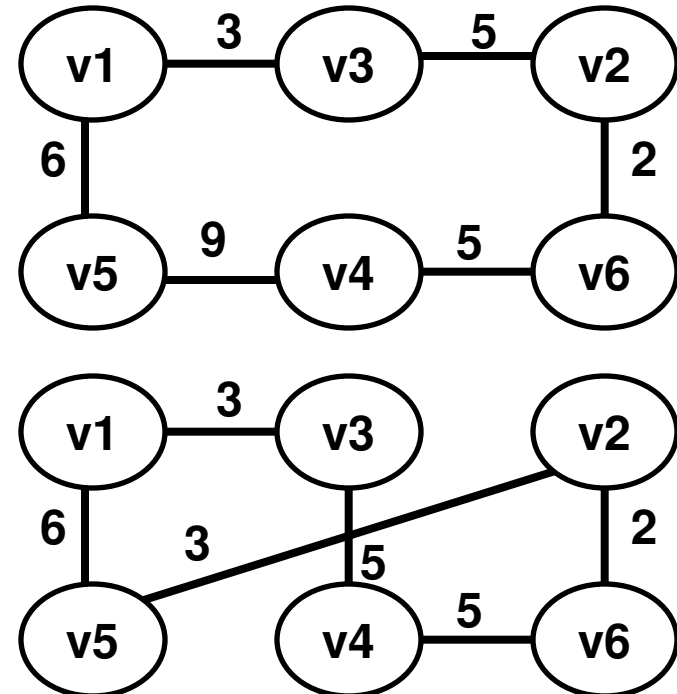
NN Heuristic Example (contd..)

Iteration 5 (pick v5; 15+9=24): v1 - v3 - v2 - v6 - v4 - v5

	v1	v2	v3	v4	v5	v6
v1	0	5	3	8	6	4
v2	5	0	5	4	3	2
v3	3	5	0	5	6	7
v4	8	4	5	0	9	5
v5	6	3	6	9	0	6
v6	4	2	7	5	6	0

Final tour: v1 - v3 - v2 - v6 - v4 - v5 - v1

Total tour weight: 24+6 = 30



Improvement to the NN Heuristic using 2-Change Heuristic

Pick two non-overlapping edges (with no common end vertices) and see if we can swap for them using edges that connect the end vertices so that the connectivity of the tour is maintained and the tour cost can be further reduced.

Strategy: Pick the costliest edge and a non-overlapping edge (i.e., no common end vertices) that is the next costliest

In the above example, we can pick v5 – v4 (edge wt: 9) and the next costliest non-overlapping edge v3 – v2 (edge wt: 5) and replace them with edges v5 – v2 (wt: 3) and v4 – v3 (wt: 5). The revised tour is v1 – v3 – v4 – v6 – v2 – v5 – v1; tour weight: 24

Heuristic # 2 for the TSP Problem

Twice-around-the Tree Algorithm

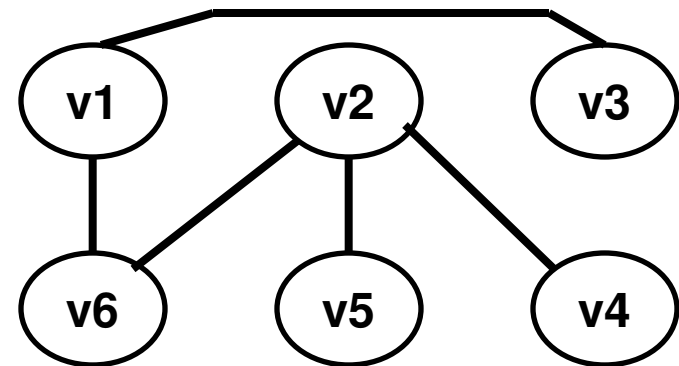
- **Step 1:** Construct a Minimum Spanning Tree of the graph corresponding to a given instance of the TSP problem
- **Step 2:** Starting at an arbitrary vertex, perform a walk around the minimum spanning tree recording all the vertices passed by. This can be done by a DFS traversal.
- **Step 3:** Scan the vertex list obtained in Step 2 and eliminate from it all repeated occurrences of the same vertex except the starting one at the end of the list. The vertices remaining on the list will form a Hamiltonian Circuit, which is the output of the algorithm.

Note: We will use the **principle of Triangle Inequality** for Euclidean plane:

The sum of the two sides of a triangle is greater than the third side of the triangle

edge wt	edge	edge wt	edge
2	v2 - v6	5	v4 - v6
3	v1 - v3	6	v1 - v5
3	v2 - v5	6	v3 - v5
4	v1 - v6	6	v5 - v6
4	v2 - v4	7	v3 - v6
5	v1 - v2	8	v1 - v4
5	v2 - v3	9	v4 - v5
5	v3 - v4		

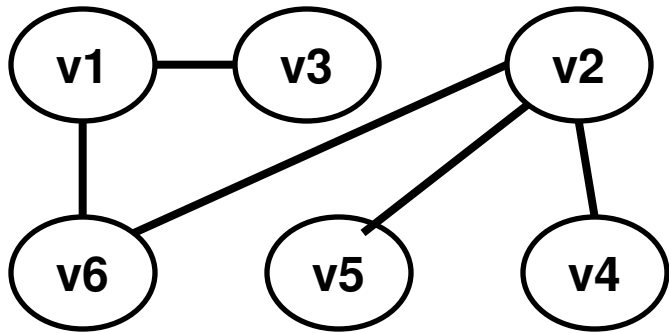
Step 1: MST of the Graph



Heuristic # 2 for the TSP Problem

Twice-around-the Tree Algorithm

MST (vertices rearranged) from Step 1



Step 3: Optimizing the DFS Walk

Tour from Step 2:

$v1 - v3 - v1 - v6 - v2 - v4 - v2 - v5 - v2 - v6 - v1$

Optimized Tour:

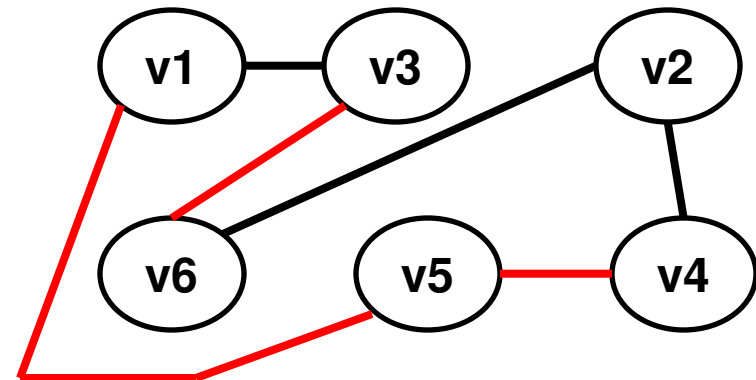
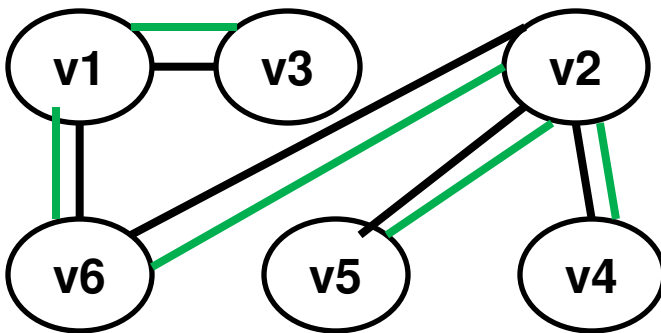
$v1 - v3 \quad v1 \quad v6 - v2 - v4 \quad v2 \quad v5 \quad v2 \quad v6 \quad v1$

$v1 - v3 - v6 - v2 - v4 - v5 - v1$

Tour Weight: 31

Step 2: DFS Traversal of the MST

$v1 - v3 - v1 - v6 - v2 - v4 - v2 - v5 - v2 - v6 - v1$



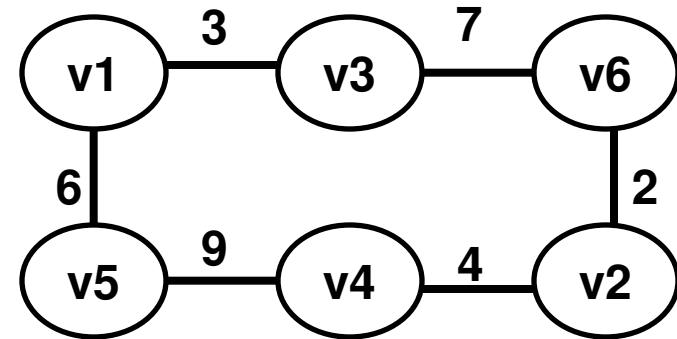
Heuristic # 2 for the TSP Problem

Twice-around-the Tree Algorithm

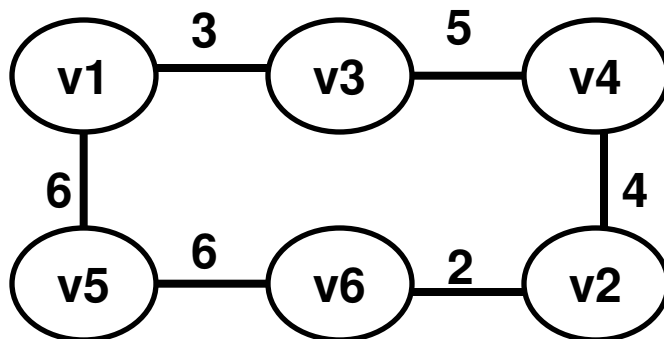
TSP Tour of Twice-around-the-Tree Algorithm

edge wt	edge	edge wt	edge
2	v2 - v6	5	v4 - v6
3	v1 - v3	6	v1 - v5
3	v2 - v5	6	v3 - v5
4	v1 - v6	6	v5 - v6
4	v2 - v4	7	v3 - v6
5	v1 - v2	8	v1 - v4
5	v2 - v3	9	v4 - v5
5	v3 - v4		

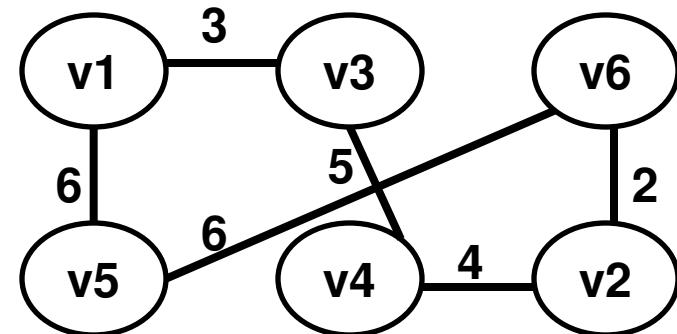
v1 - v3 - v6 - v2 - v4 - v5 - v1
 Tour Weight: 31



Improved Tour Weight: 26



Improvement using 2-Change



Proof for the Approximation Ratio for Twice-around-the-Tree

- Let $w(\text{MST})$ be the weight of the MST generated from Step 1.
- The weight of the DFS walk generated from Step 2 could be at most $2 \cdot w(\text{MST})$, as seen in the example.
- In Step 3, we are trying to optimize the DFS walk and extract a Hamiltonian Circuit of lower weight. Even if no optimization is possible, the weight of the tour generated by the Twice-around-the-Tree algorithm is at most twice the weight of the minimum spanning tree of the graph instance of the TSP problem.
- Note that $w(\text{MST})$ of the graph has to be less than the weight of an optimal tour, $w(\text{Optimal Tour})$. Otherwise, if $w(\text{Optimal Tour}) \leq w(\text{MST})$, then the so-called MST with $V-1$ edges is not a MST.
- $W(\text{Twice-around-the-Tree tour}) \leq 2 \cdot W(\text{MST}) < 2 \cdot w(\text{Optimal Tour})$.
- $W(\text{Twice-around-the-Tree tour}) / W(\text{Optimal Tour}) < 2$.
- Hence, the approximation ratio of the Twice-around-the-Tree algorithm is less than 2.

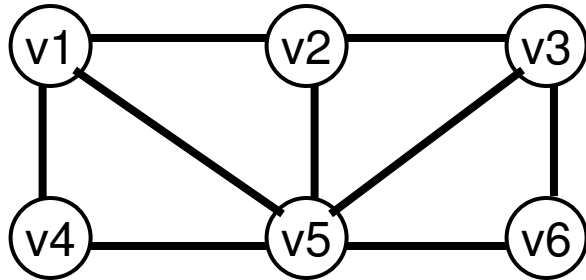
Independent Set, Vertex Cover, Clique

- An independent set of a graph G is a subset IS of vertices such that there is no edge in G between any two vertices in IS .
- Optimization Problem: Find a maximal independent set of a graph
- Decision Problem: Given a graph G , is there an independent set of G of size k ?
 - The objective is to find a subset of k vertices from the set of vertices in G , such that any two vertices among the k vertices do not have an edge in G .

- A Vertex Cover for a graph G is a subset of vertices VC such that every edge in G has at least one end vertex in VC .
- The optimization problem is to find the vertex cover with the minimal set of vertices.
- Note that $VC = V - IS$, where V is the set of vertices and IS is the Independent Set.

- A Clique of a graph G is a subset C of vertices such that there is an edge in G between any two vertices in C .
- Similar to the Independent set problem, one can have optimization and decision versions of the Clique problem. The objective will be to find a maximum clique of k vertices or more.

Independent Set, Vertex Cover, Clique



In the above graph,
the set of vertices

- {v2, v4, v6} form an Independent Set
- Thus, {v1, v3, v5} form the Vertex Cover

- {v1, v2, v5} form a Clique

Polynomial Reduction:

Given a graph G , find a Complement graph G^* containing the same set of vertices, such that there exists an edge between any two vertices in G^* if and only if there is no edge between them in G .

An Independent Set in G^ is a Clique in G and vice-versa:* the only reason there is no edge between two vertices in G^* is because there is an edge between them in G .

Approach to find the Independent Set, Vertex Cover and Clique for a Graph G

1. Find the Independent Set, IS, of graph G using the Minimum Neighbors Heuristic
2. The Vertex Cover of G is $V - IS$, where V is the set of vertices in G
3. Find the Complement Graph G^* of G and run the Minimum Neighbors Heuristic on it. The Independent Set of G^* is the Clique of G .

Proof for the Polynomial Reductions

- **Clique \leq_p Independent Set**

- Let G^* be the complement graph of G . There exists an edge in G^* if and only if there is no edge in G .
- Determine a Maximal Independent Set C^* of G^* . There exists no edge between any two vertices in C^* of G^* . \implies There exists an edge between the two vertices of C^* in G . For any two vertices in C^* , there is an edge in G . Hence, C^* is a Maximal Clique of G .

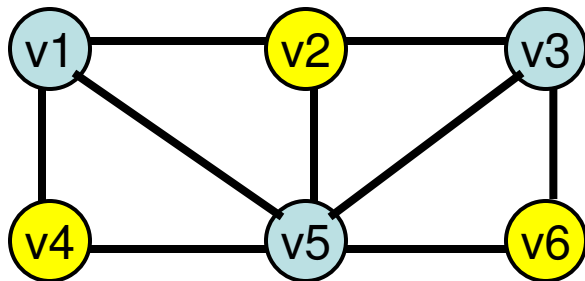
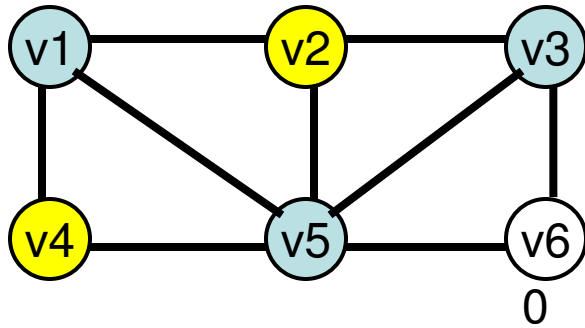
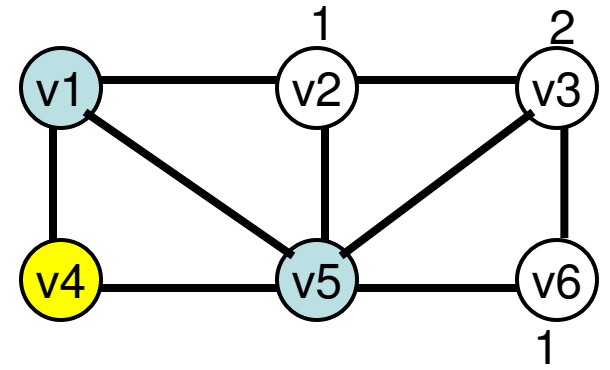
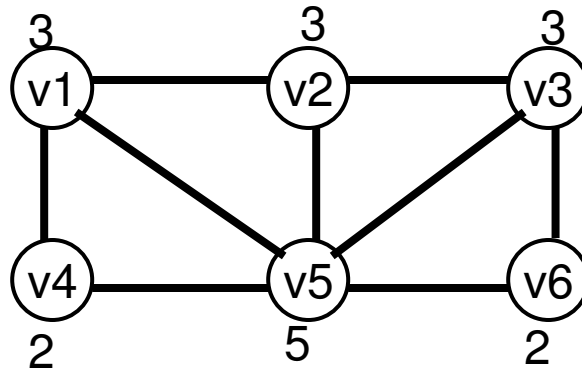
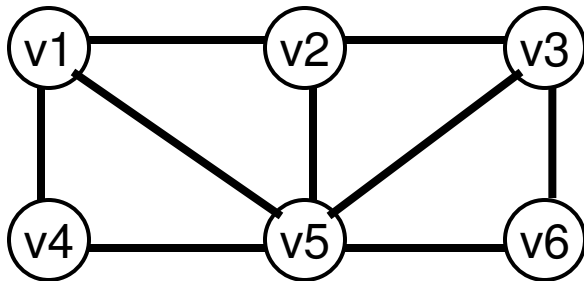
- **Independent Set \leq_p Clique**

- By the same argument as above, we can determine a maximal clique in G^* ; there is an edge between any two vertices in the maximal clique of G^* \rightarrow there are no edges between any two of these vertices in G . These vertices form the maximal independent set in G .

- **Vertex Cover \leq_p Independent Set**

- Let IS be an independent set of graph G .
- Let the vertex cover of G be $V - IS$, where V is the set of all vertices in the graph.
- For every edge in G , the two end vertices are not in IS . Hence, at least one of the two end vertices must be in $V - IS$. Thus, $V - IS$ should be a vertex cover for G .

Example 1 to Find Independent Set using the Minimum Neighbors Heuristic



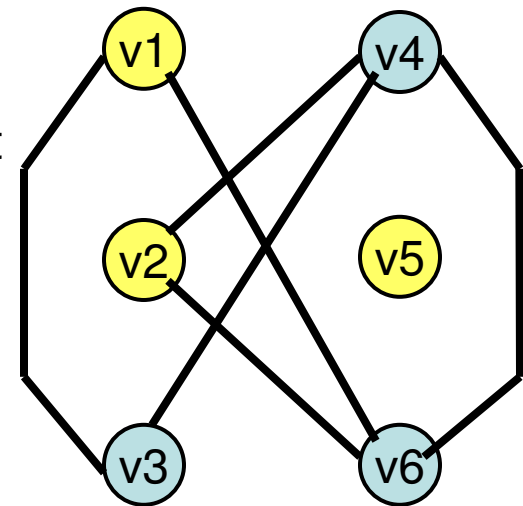
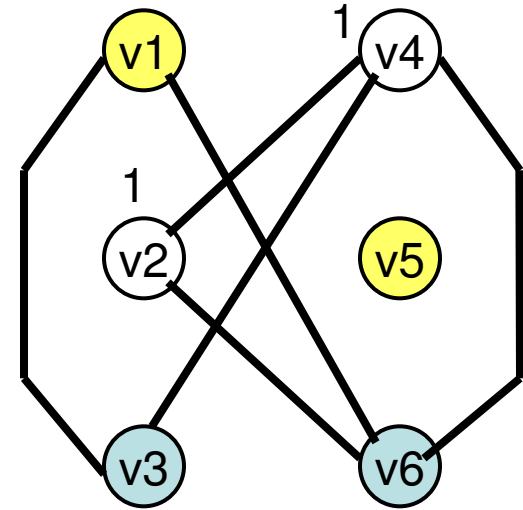
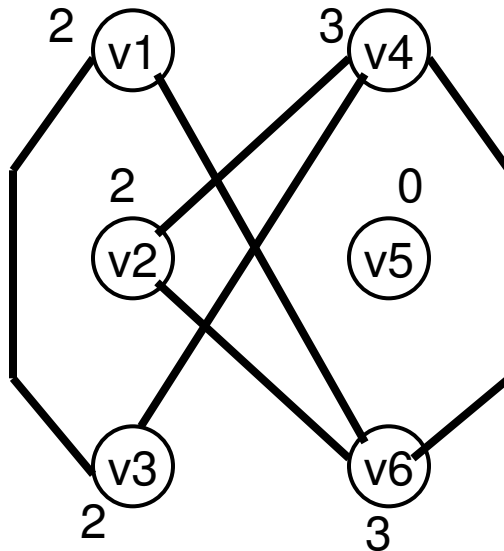
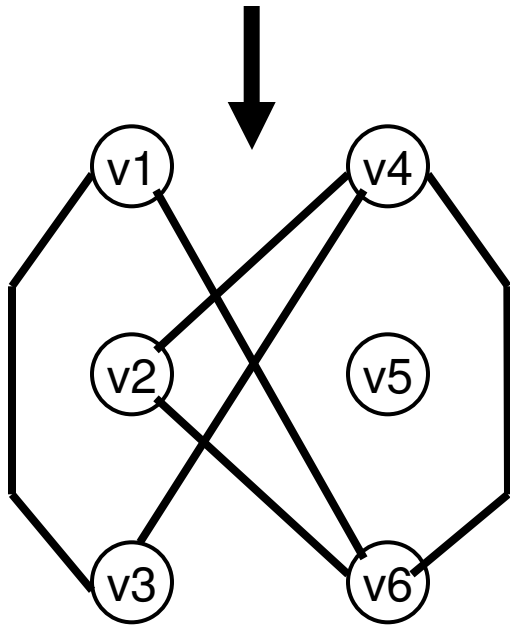
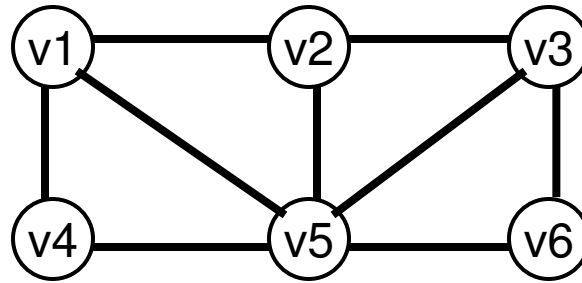
Idea: Give preference to vertices with minimal number of (uncovered) neighbors to be part of the Independent Set. A vertex is said to be covered if itself or any of its neighbors in the Independent Set.

Independent Set for the above graph = {v2, v4, v6}

This is also the Maximal Independent Set (i.e., there exists no Independent Set of size 4 or more for the above graph). However, the heuristic is not guaranteed in general to give a maximal Independent set.

Vertex Cover = {v1, v3, v5}

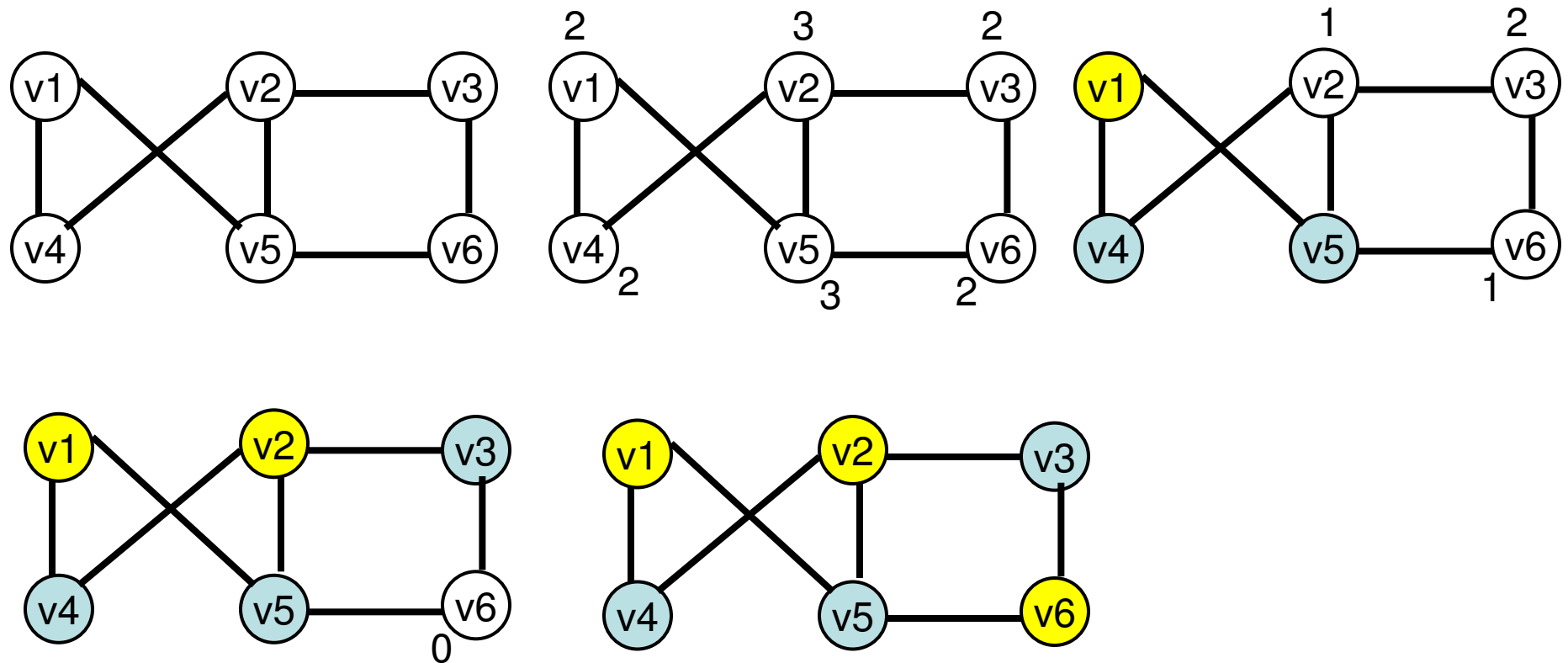
Given G ----->
 Find G^* , complement of G



**Example 1 to Determine a Clique
 Using the Minimum Neighbors
 Heuristic to Approximate an
 Independent Set**

$\{v1, v2, v5\}$
 is an Independent
 Set in G^* and it is
 a clique in G .

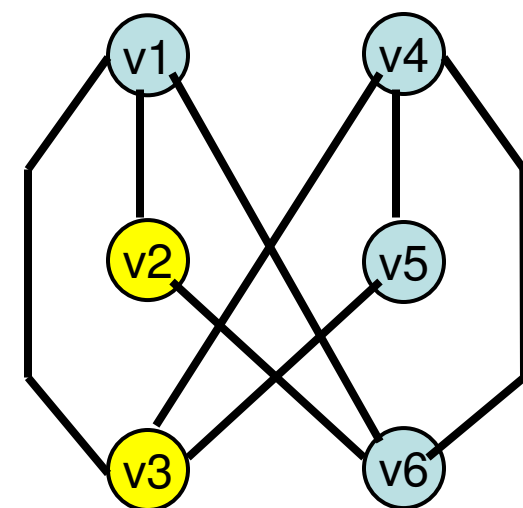
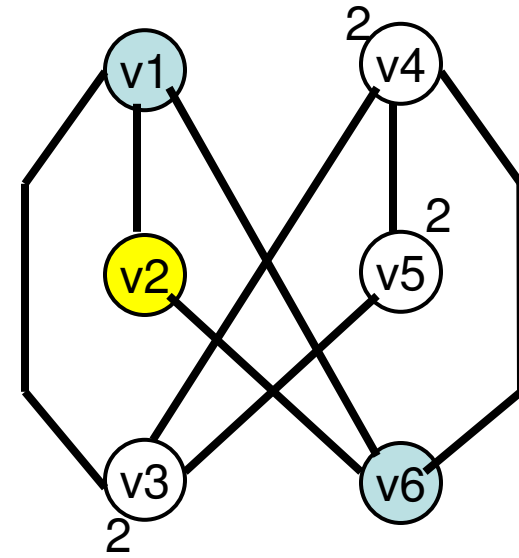
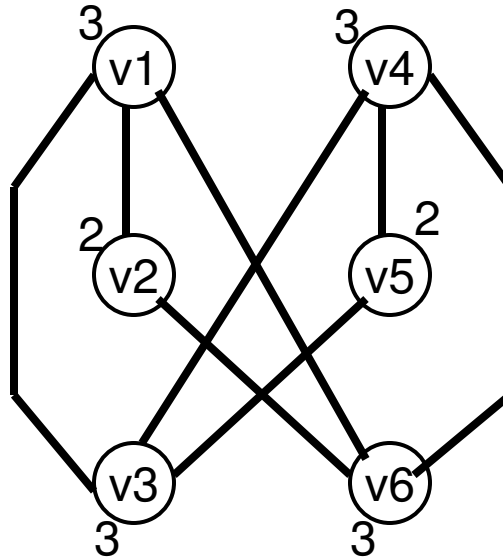
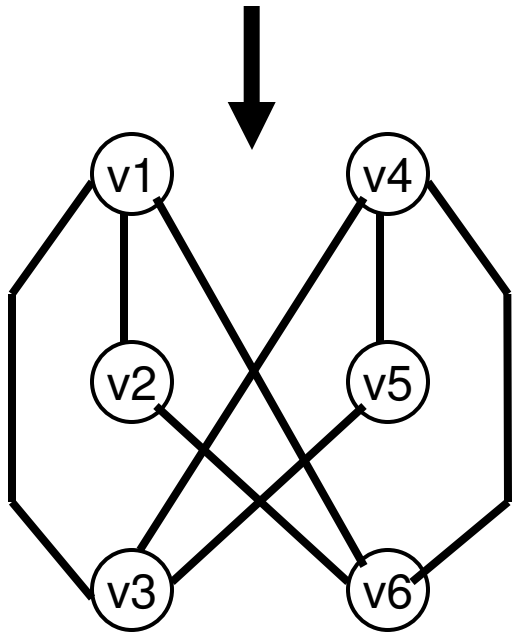
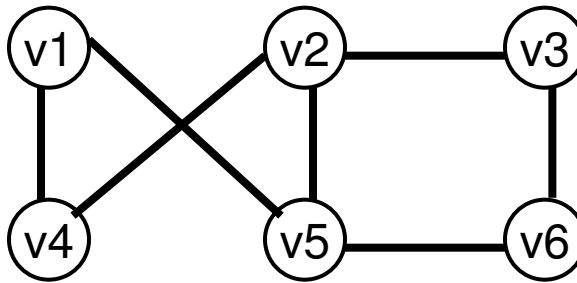
Example 2 to Find Independent Set using the Minimum Neighbors Heuristic



Independent Set = $\{v_1, v_2, v_6\}$

Vertex Cover = $\{v_3, v_4, v_5\}$

Given G ----->
 Find G^* , complement of G



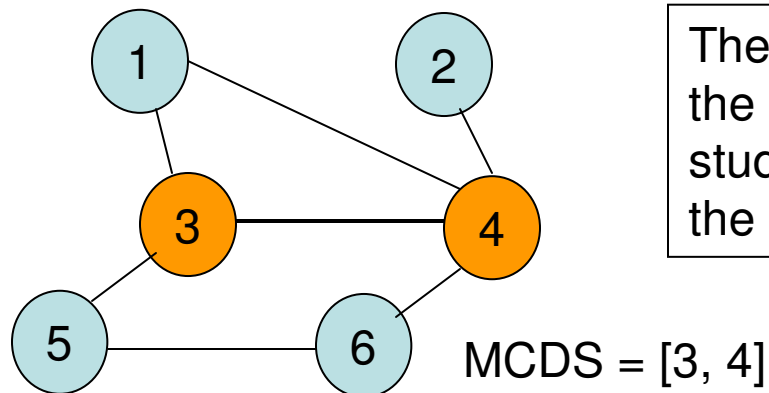
Independent Set of $G^* = \{v2, v3\}$

Clique of $G = \{v2, v3\}$

Note that Clique of $G^* = \{v1, v2, v6\}$ is an Independent Set of G , leading to a Vertex Cover of $\{v3, v4, v5\}$ of G .

Minimum Connected Dominating Set

- Given a connected undirected graph $G = (V, E)$ where V is the set of vertices and E is the set of edges, a connected dominating set (CDS) is a sub-graph of G such that all nodes in the graph are included in the CDS or directly attached to a node in the CDS.
- A minimum connected dominating set (MCDS) is the smallest CDS (in terms of the number of nodes in the CDS) for the entire graph.
- For broadcast communication, it is sufficient if the data goes through all the nodes in the MCDS. Each node in the MCDS can in turn forward the data to its neighbors.
- Determining the MCDS in an undirected graph is NP-complete.
- Degree of a vertex is the number of neighbors of the vertex



The size of a MCDS clearly depends on the degree of the nodes. Hence, we will study a degree-based heuristic to approximate the MCDS

Heuristic to Approximate a MCDS

Input: Graph $G = (V, E)$, where V is the vertex set and E is the edge set.
Source – vertex, $s \in V$.

Auxiliary Variables and Functions:

$CDS-list$, $Covered-list$, $Neighbors(v)$ for every v in V .

Output: $CDS-list$

Initialization: $Covered-list = \{s\}$, $CDS-list = \Phi$

Begin d -MCDS

while ($|Covered-list| < |V|$) **do**

Select a vertex $r \in Covered-list$ and $r \notin CDS-list$ such that r has the maximum neighbors that are not in $Covered-list$.

$CDS-list = CDS-list \cup \{r\}$

For all $u \in Neighbors(r)$ and $u \notin Covered-list$,

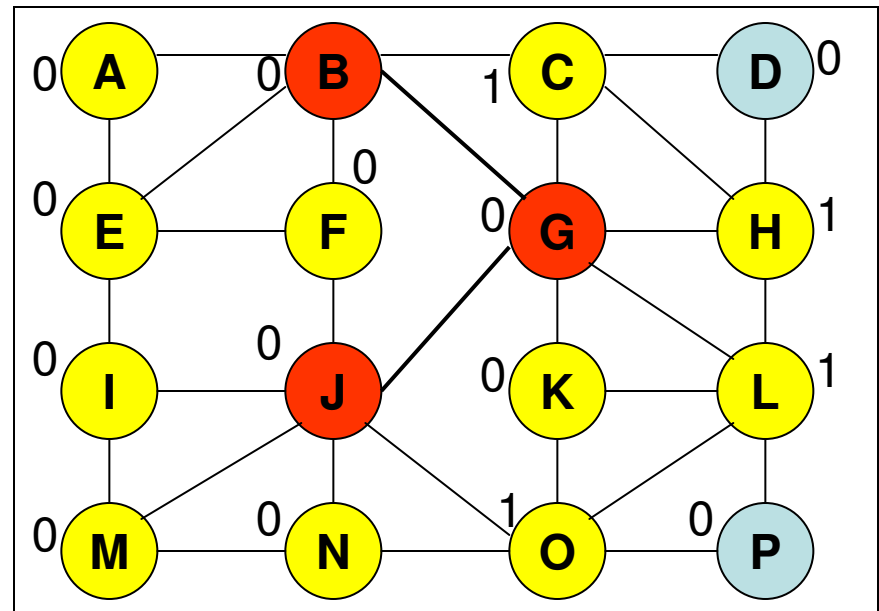
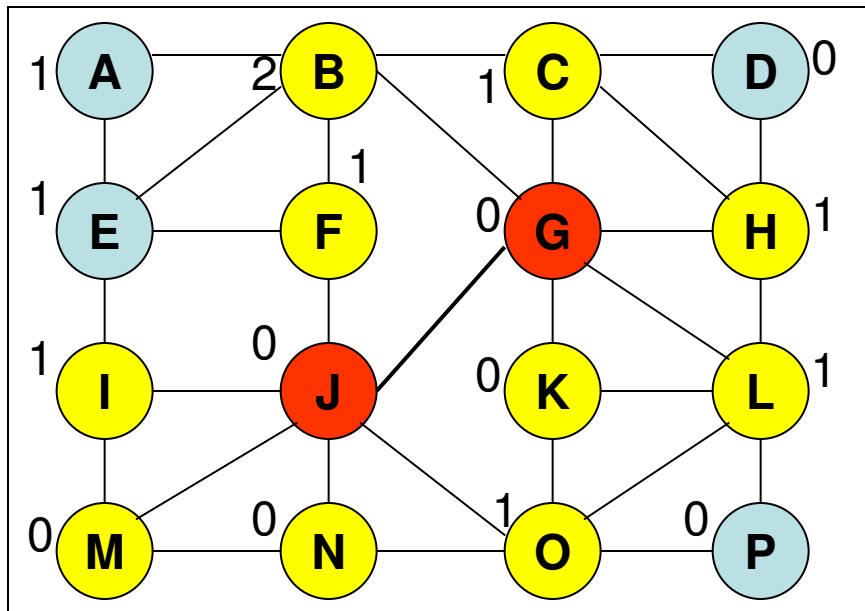
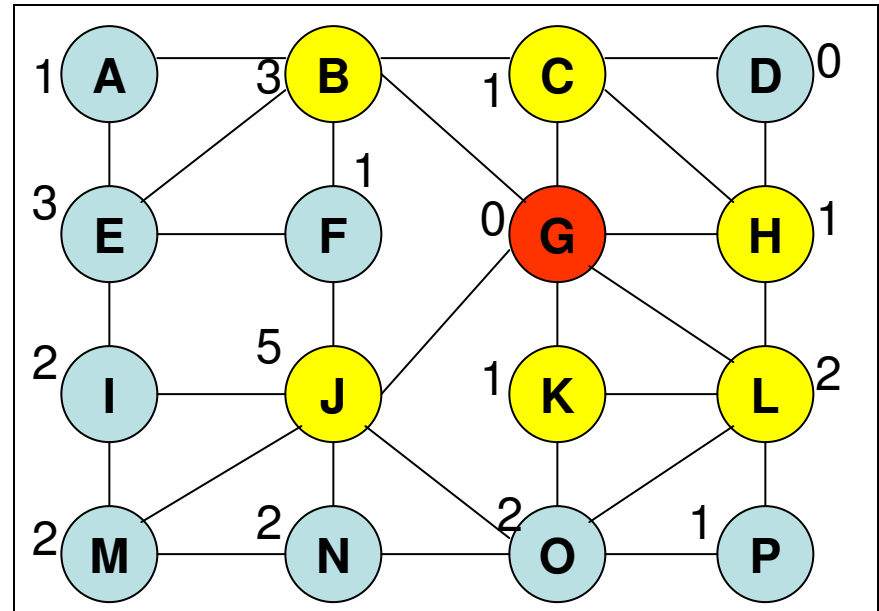
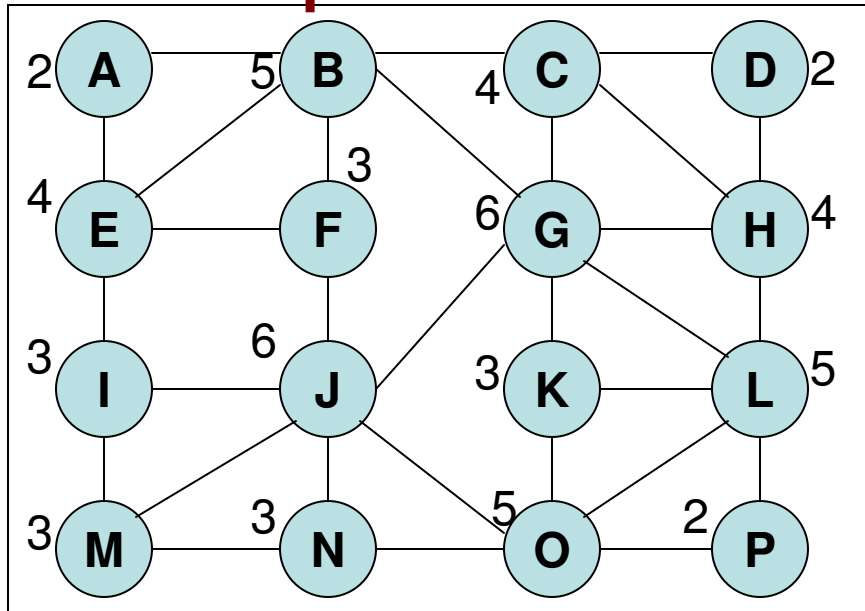
$Covered-list = Covered-list \cup \{u\}$

end while

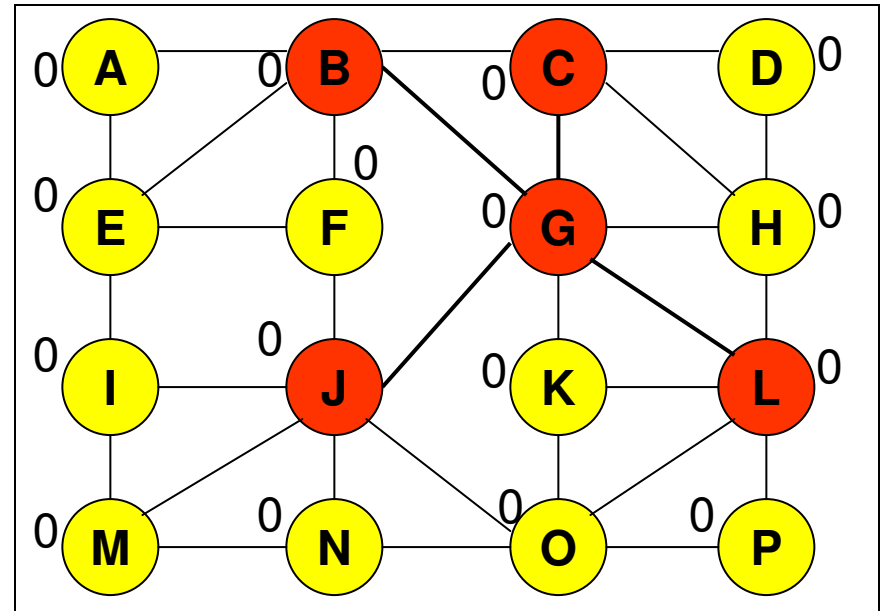
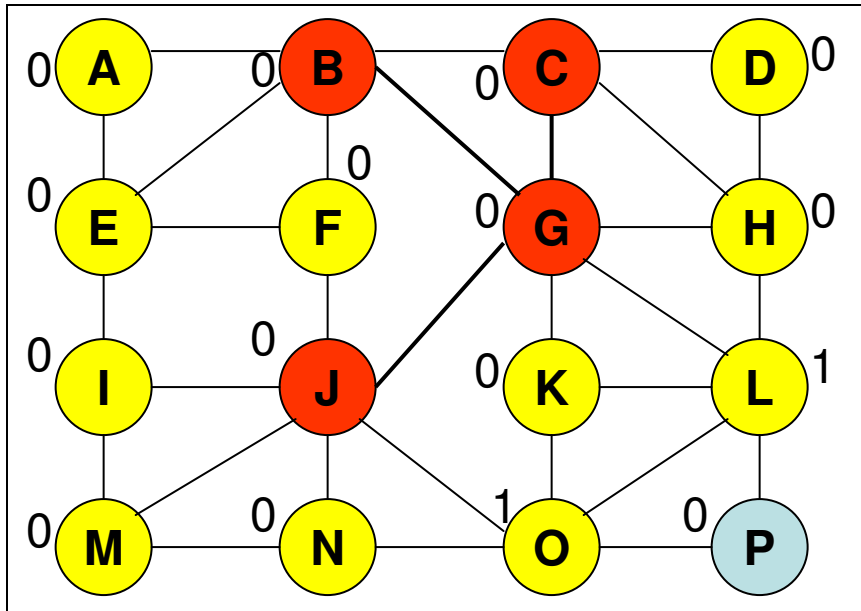
return $CDS-list$

End d -MCDS

Example for *d-MCDS* Heuristic



Example for *d-MCDS* Heuristic



MCDS Nodes = [G, J, B, C, L]

