

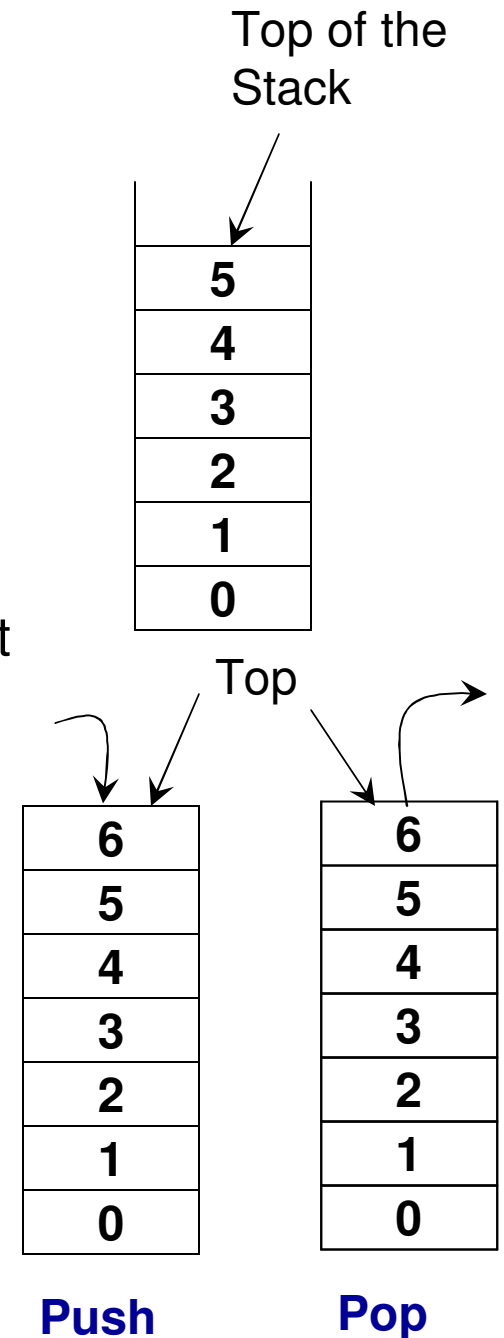
Module 3: Stack ADT

Dr. Natarajan Meghanathan
Professor of Computer Science
Jackson State University
Jackson, MS 39217

E-mail: natarajan.meghanathan@jsums.edu

Stack ADT

- Features (Logical View)
 - A List that operates in a Last In First Out (LIFO) fashion
 - Insertion and deletion can be performed only from one end (i.e., the top of the stack)
 - The last added item has to be removed first
 - Operations:
 - Push() – adding an item to the top of the stack
 - Pop() – delete the item from the top of
 - Peek() – read the item in the top of the stack
 - IsEmpty() – whether there is any element in the top of the stack
 - All the above operations should be preferably implemented in $O(1)$ time.



Dynamic Array-based Implementation of Stack ADT

- **List ADT**

- **Member variables**

int *array
int maxSize
int endOfArray

- **Constructor**

List(int size)

- **Member functions**

bool isEmpty()
void resize(int s)
void insert(int data)
~~void insertAtIndex(int insertIndex, int data)~~
~~int read(int index) - -~~
~~void modifyElement(int index, int data) -~~
~~void deleteElement(int deleteIndex) -~~

- **Stack ADT**

- **Member variables**

int *array
int maxSize
int topOfStack

- **Constructor**

Stack(int size)

- **Member functions**

bool isEmpty()
void resize(int s)
void push(int data)

int peek()

int pop()

Code 3.1 (C++): Dynamic Array-based Implementation of Stack ADT

```
void resize(int s){
    int *tempArray = array;

    array = new int[s];

    for (int index = 0; index < min(s, topOfStack+1); index++){
        array[index] = tempArray[index];
    }
    maxSize = s;
}

void push(int data){ // same as insert 'at the end'
    if (topOfStack == maxSize-1)
        resize(2*maxSize);

    array[++topOfStack] = data;
}
```

Code 3.1 (C++): Dynamic Array-based Implementation of Stack ADT

```
int peek(){  
  
    if (topOfStack >= 0)  
        return array[topOfStack];  
    else  
        return -1000000;  
        // an invalid value to indicate empty stack  
}
```

```
int pop(){  
  
    if (topOfStack >= 0){  
        return array[topOfStack--];  
        // the topOfStack is decreased by one after  
        // the value is retrieved  
    }  
    else  
        return -1000000;  
        // an invalid value to indicate empty stack  
}
```

Implementation of Stack

Dynamic Array vs. Singly/Doubly Linked List

- Push
 - Array: $O(n)$ time, due to need for resizing when the stack gets full
 - Singly Linked List: $O(1)$ time, if insertion is done at the beginning of the list
 - Doubly Linked List: $O(1)$ time
- Pop
 - Array: $O(1)$ time
 - Singly Linked List: $O(1)$ time, if deletion is done at the beginning of the list
 - Doubly Linked List: $O(1)$ time
- Peek
 - Array: $O(1)$ time
 - Singly Linked List: $O(1)$ time, if peek is done at the beginning of the list
 - Doubly Linked List: $O(1)$ time
- A singly linked list-based implementation with insertion and deletion done at the end of the list would be the most time consuming, as we would need to traverse the entire list for every push, pop and peek operation.

Class List (C++) Singly Linked List: Inserting an Element at insertIndex

```
void insertAtIndex(int insertIndex, int data){  
    Node* currentNodePtr = headPtr->getNextNodePtr();  
    Node* prevNodePtr = headPtr;  
  
    int index = 0;  
    while (currentNodePtr != 0){  
        if (index == insertIndex) break;  
        prevNodePtr = currentNodePtr;  
        currentNodePtr = currentNodePtr->getNextNodePtr();  
        index++;  
    }  
  
    Node* newNodePtr = new Node();  
    newNodePtr->setData(data);  
    newNodePtr->setNextNodePtr(currentNodePtr);  
    prevNodePtr->setNextNodePtr(newNodePtr);  
}
```

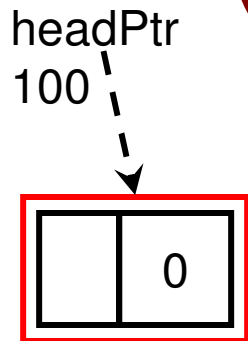
index refers to the node pointed by currentNodePtr at any time

During the beginning and end of the while loop, the value for 'index' corresponds to the Position of the currentNode ptr and prevNode ptr corresponds to index-1.

If index equals insertIndex, we break from the while loop and insert the new node at the index in between prevNode and currentNode.

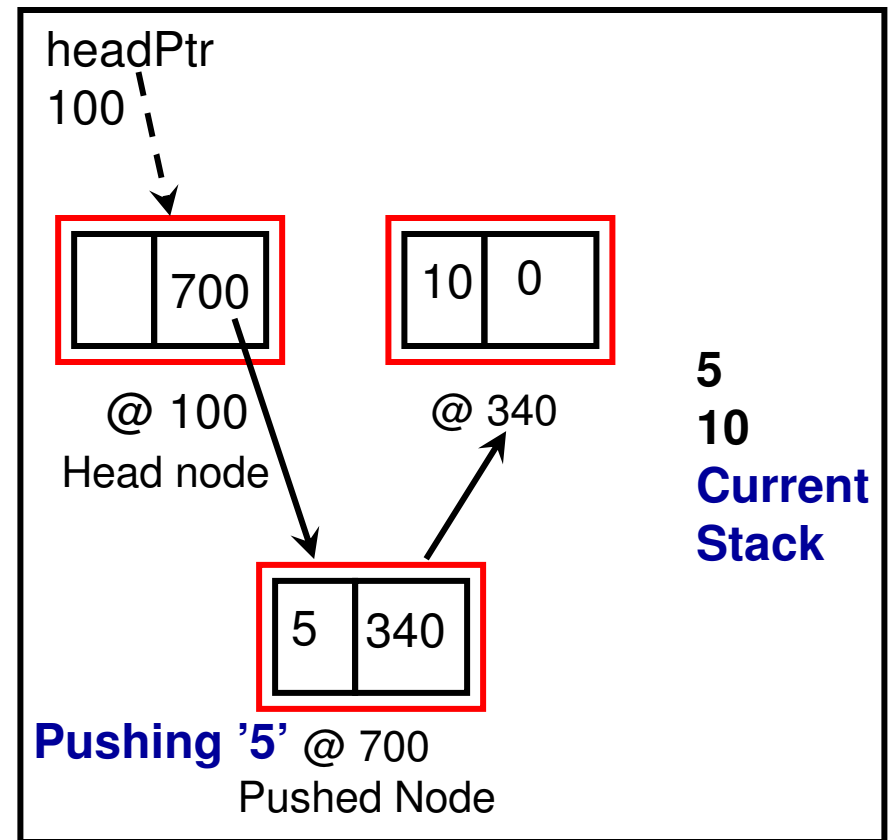
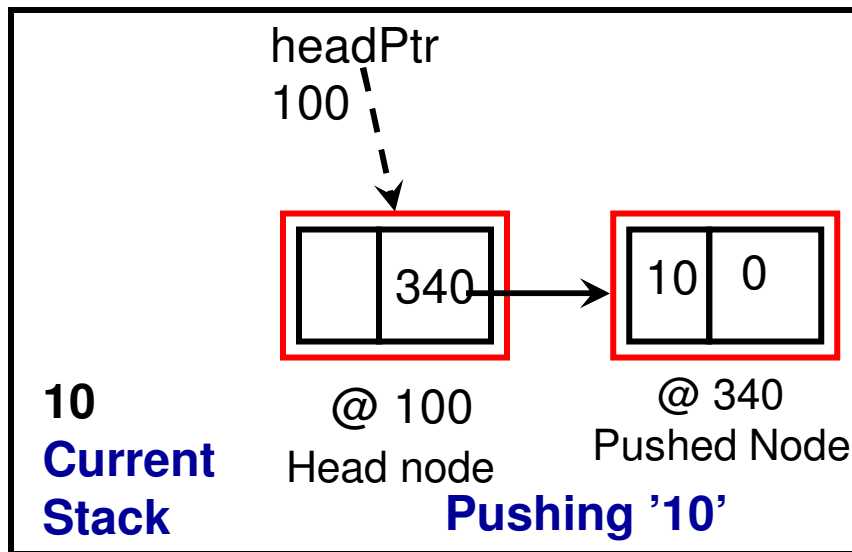
Singly Linked List: Push Operation (Example: Push 10 5 7 9)

Push(data) can be implemented as insertAtIndex(0, data) on a Singly Linked List

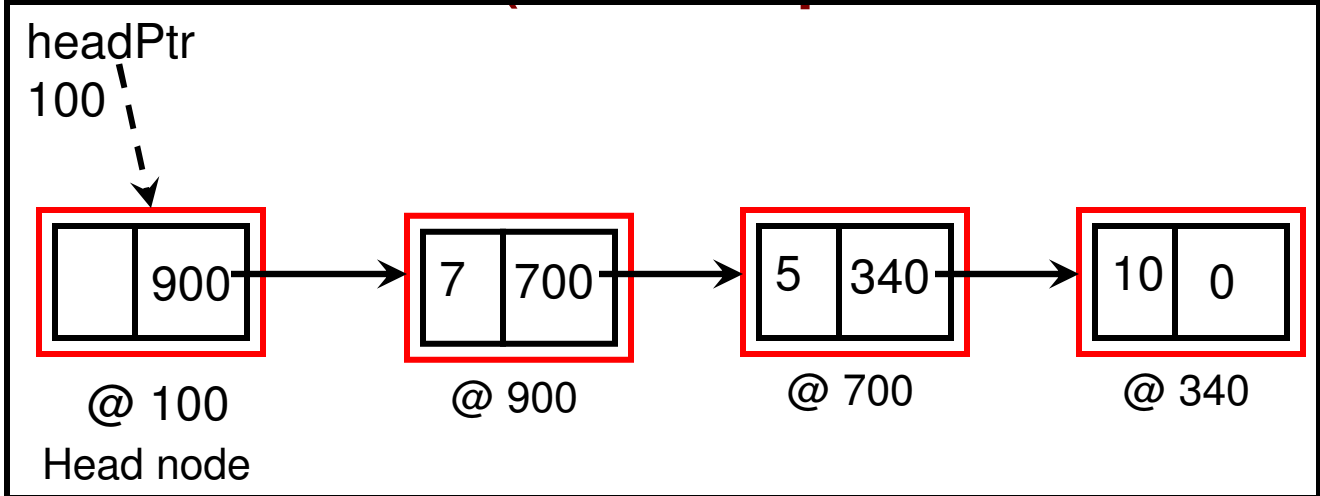


@ 100
Head node

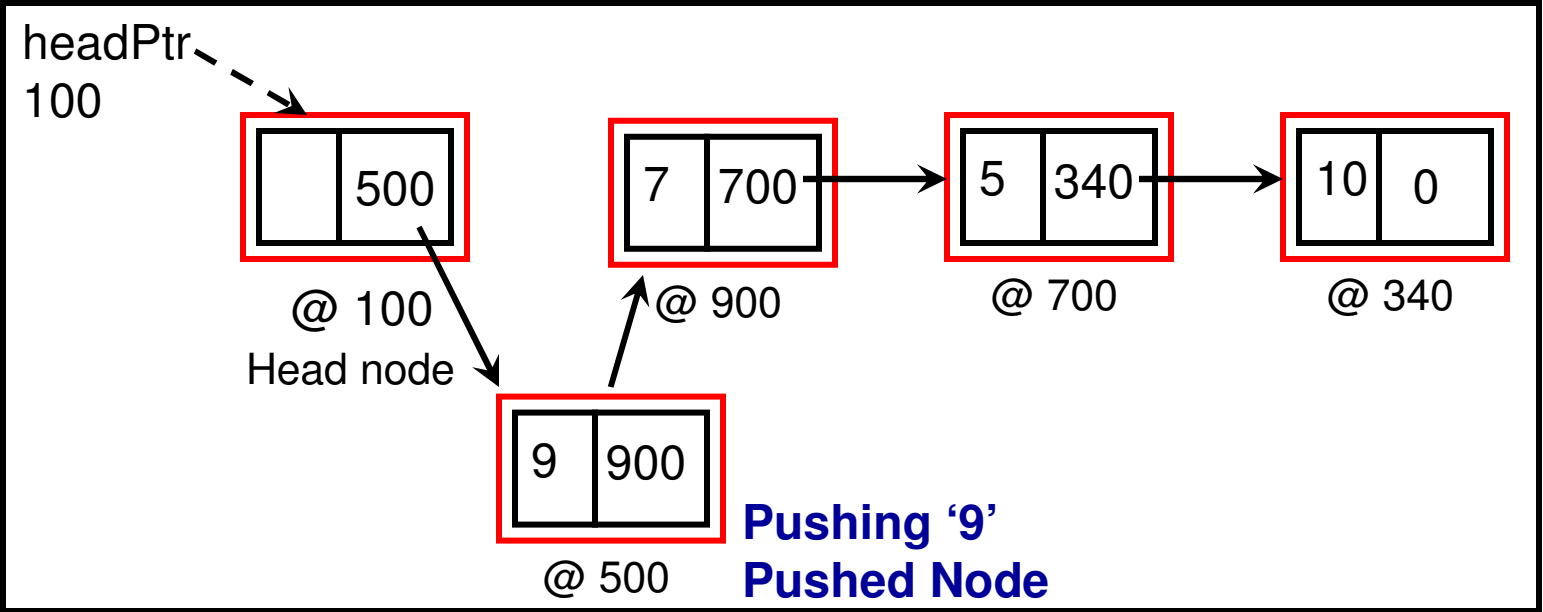
Initialization



Singly Linked List: Push Operation (Example: Push 10 5 7 9)



7
5
10
Current Stack



9
7
5
10
Current Stack

Class List (C++)

Singly Linked List: Deleting the Element at deleteIndex

```
void deleteElement(int deleteIndex){
    Node* currentNodePtr = headPtr->getNextNodePtr();
    Node* prevNodePtr = headPtr;
    Node* nextNodePtr = headPtr;
    int index = 0;

    while (currentNodePtr != 0){

        if (index == deleteIndex){
            nextNodePtr = currentNodePtr->getNextNodePtr();
            break;
        }

        prevNodePtr = currentNodePtr;
        currentNodePtr = currentNodePtr->getNextNodePtr();

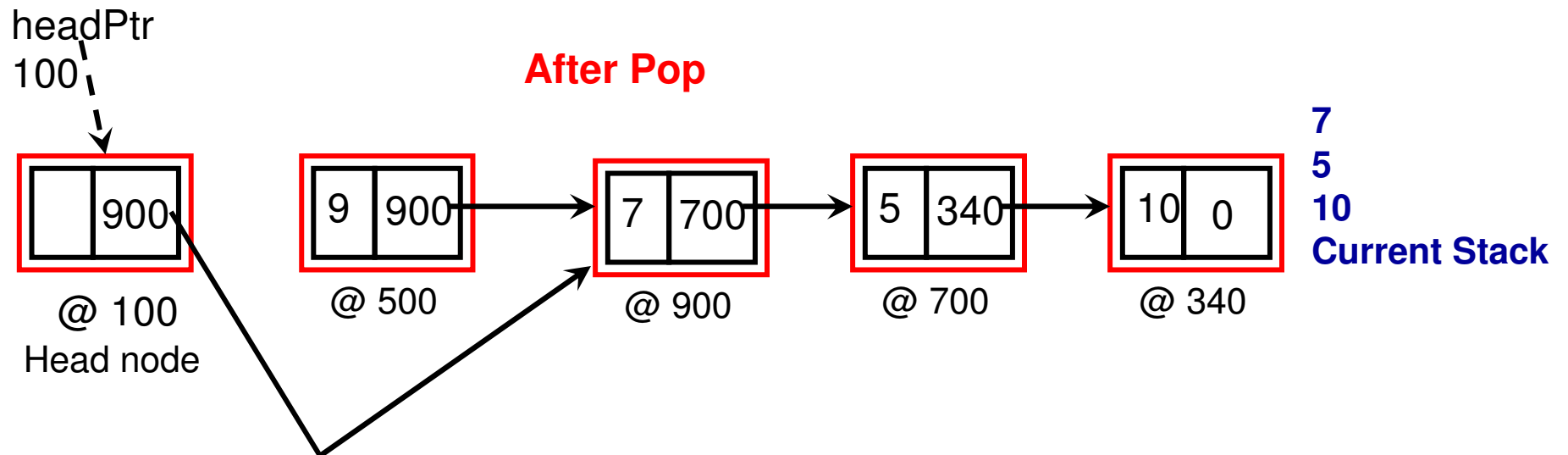
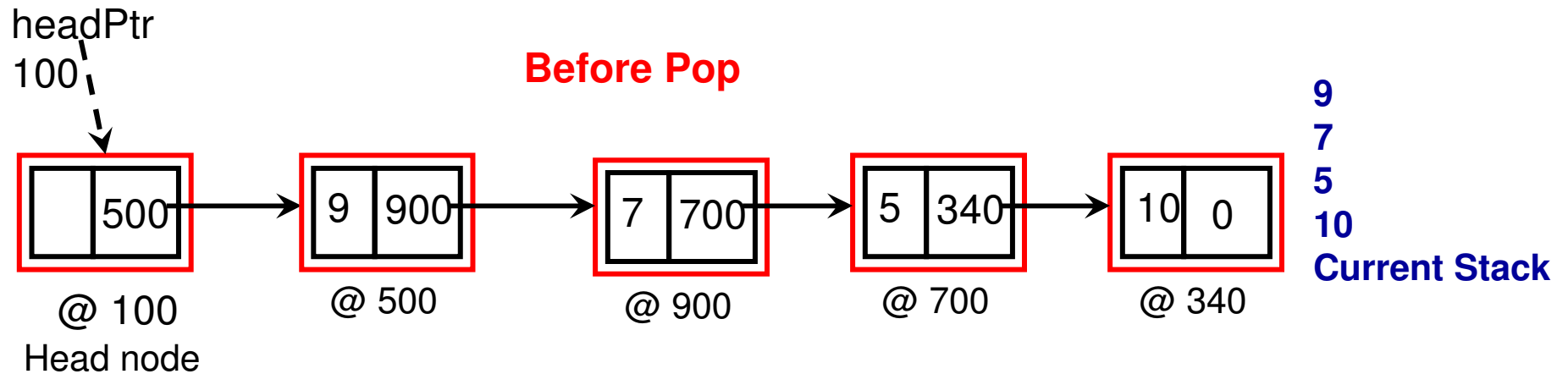
        index++;
    }

    prevNodePtr->setNextNodePtr(nextNodePtr);
}
```

The next node for 'prevNode' ptr is now 'next node' and not 'current node'

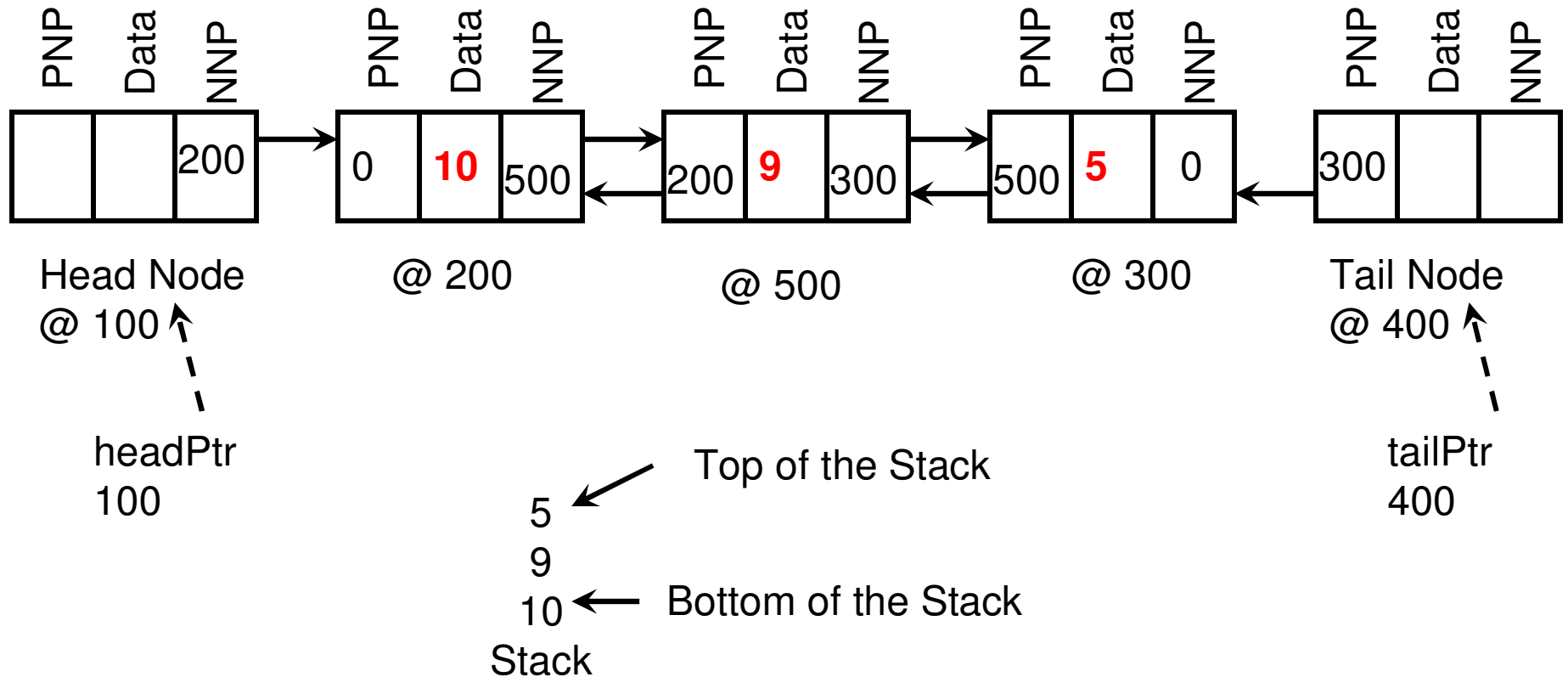
Singly Linked List: Pop Operation

Pop can be implemented as delete(int deleteIndex)



Doubly Linked List Implementation of a Stack

Abbreviations: PNP – PrevNodePtr; NNP – NextNodePtr



Code 3.2: Doubly Linked List-based Implementation of Stack

private: Class Node (C++) Overview

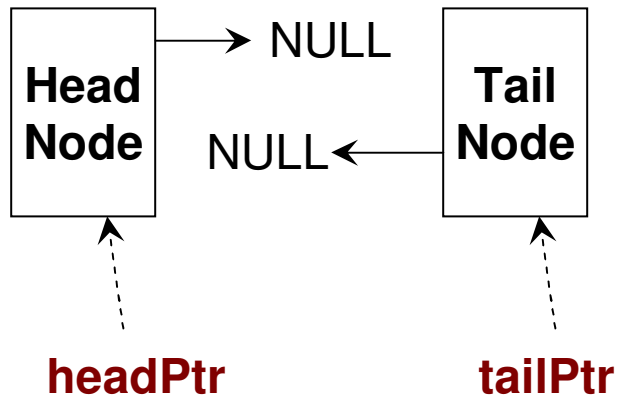
```
int data;  
Node* nextNodePtr;  
Node* prevNodePtr;  
public:  
Node( )  
void setData(int)  
int getData()  
void setNextNodePtr(Node* )  
Node* getNextNodePtr( )  
void setPrevNodePtr(Node* )  
Node* getPrevNodePtr( )
```

```
private: Class Stack (C++)  
Node* headPtr;  
Node* tailPtr;  
public:  
Stack(){  
    headPtr = new Node();  
    tailPtr = new Node();  
    headPtr->setNextNodePtr(0);  
    tailPtr->setPrevNodePtr(0);  
}  
  
Node* getHeadPtr(){  
    return headPtr;  
}  
  
Node* getTailPtr(){  
    return tailPtr;  
}  
  
bool isEmpty(){  
    if (headPtr->getNextNodePtr() == 0)  
        return true;  
  
    return false;  
}
```

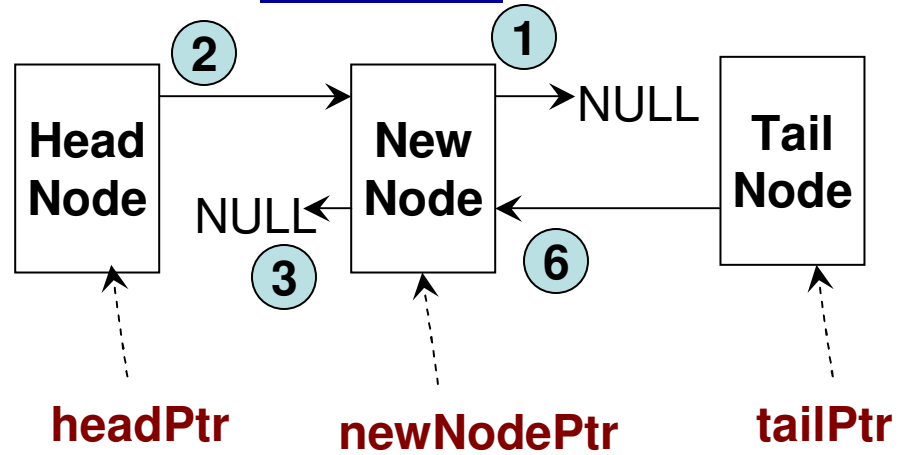
Push Operation

Scenario 1: There is no node currently in the stack

Before Push



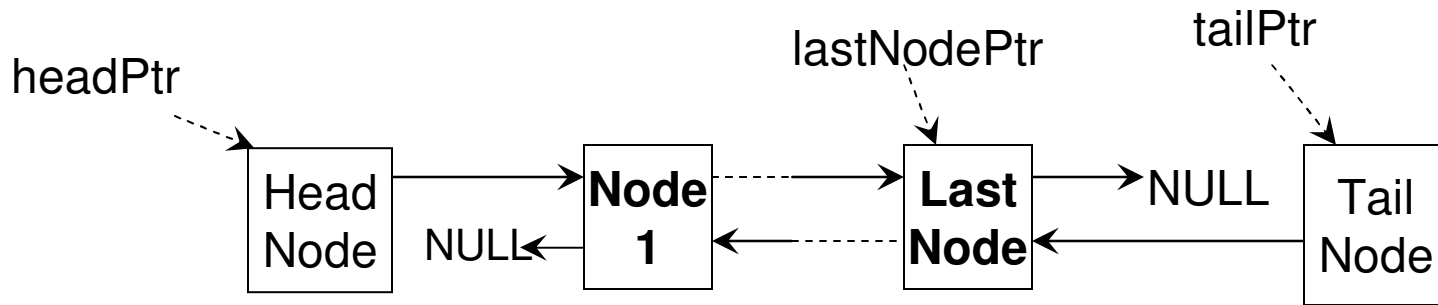
After Push



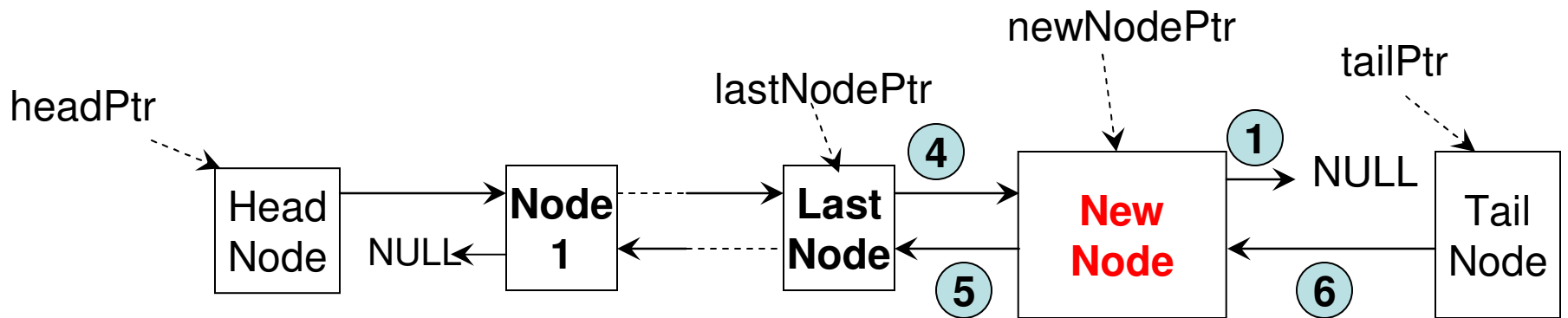
Push Operation

Scenario 2: There is at least one node already in the stack

// Before the new node is pushed, the prevNodePtr for the “tail node”
// would be pointing to the last node in the stack and the nextNodePtr
// for that last node would be pointing to NULL.



Before Push



After Push

Code 3.2 (C++)

```
void push(int data){
```

```
    Node* newNodePtr = new Node();  
    newNodePtr->setData(data);  
    newNodePtr->setNextNodePtr(0); ①
```

```
    Node* lastNodePtr = tailPtr->getPrevNodePtr();
```

```
    if (lastNodePtr == 0){ // There is no other node in the Stack (Scenario 1)
```

```
        headPtr->setNextNodePtr(newNodePtr); ②  
        newNodePtr->setPrevNodePtr(0); ③
```

```
    }
```

```
    else{ // There is at least one node already in the Stack (Scenario 2)
```

```
        lastNodePtr->setNextNodePtr(newNodePtr); ④  
        newNodePtr->setPrevNodePtr(lastNodePtr); ⑤
```

```
    }
```

```
    tailPtr->setPrevNodePtr(newNodePtr); ⑥
```

Whatever be the case, the prevNodePtr for the tail node will point to the newly pushed node

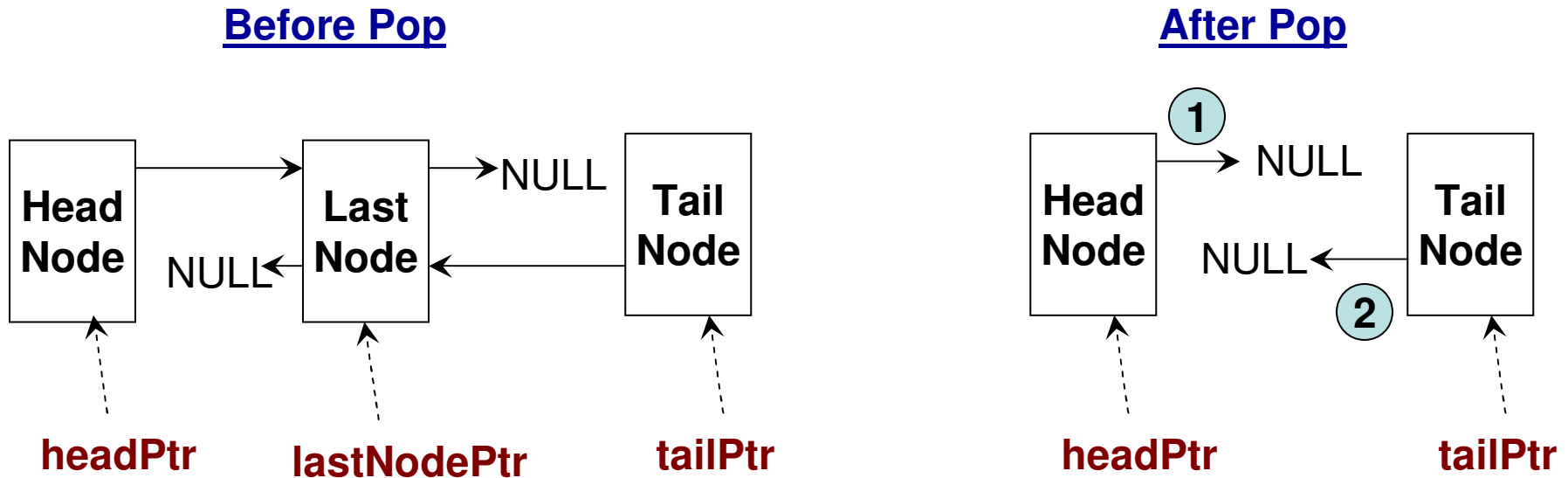
```
}
```

Pop Operation

Scenario 1: There will be no node in the Stack after the Pop (i.e., there is just one node in the Stack before the Pop)

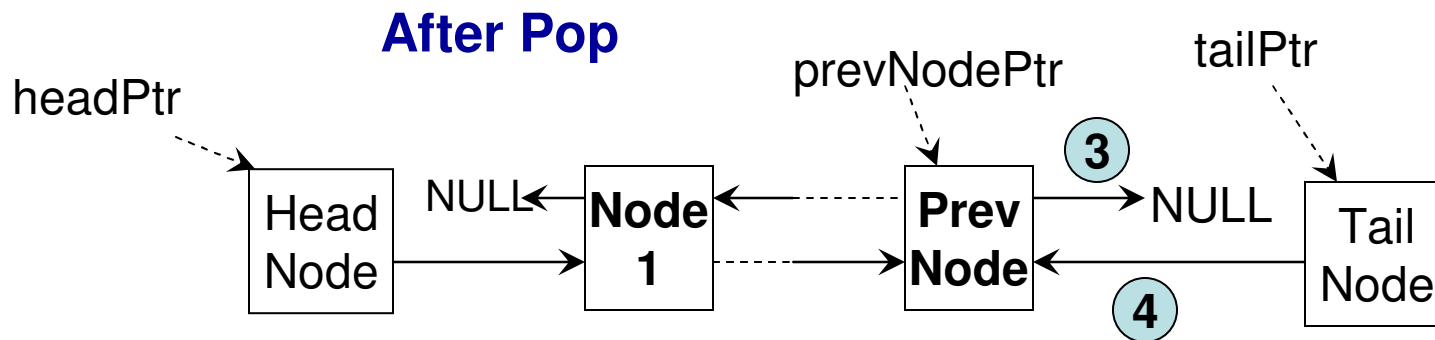
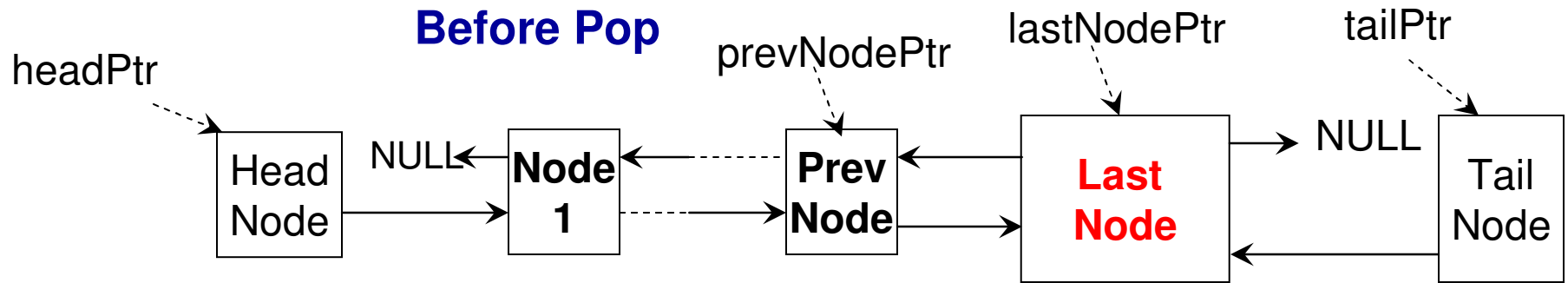
// Before Pop: The Head Node's nextNodePtr and the Tail Node's prevNodePtr are both pointing to the only node in the stack.

// After Pop: Both the Head Node's nextNodePtr and the Tail Node's prevNodePtr are set to NULL



Pop Operation

Scenario 2: There will be at least one node in the stack after the Pop operation is executed



Code 3.2 (C++)

```
int pop(){  
    Node* lastNodePtr = tailPtr->getPrevNodePtr();  
    Node* prevNodePtr = 0;  
  
    int poppedData = -100000; //empty stack  
  
    if (lastNodePtr != 0){ // If there is at least one node in the Stack before Pop  
        prevNodePtr = lastNodePtr->getPrevNodePtr();  
        poppedData = lastNodePtr->getData();  
    }  
    else // If the Stack is empty before pop, return an invalid value  
        return poppedData;  
  
    if (prevNodePtr != 0){ // If there is going to be at least one node in the  
        prevNodePtr->setNextNodePtr(0); ③ Stack after the pop  
        tailPtr->setPrevNodePtr(prevNodePtr); ④ (Scenario 2)  
    }  
    else{ // If there is going to be no node in the Stack after the pop  
        headPtr->setNextNodePtr(0); ① (Scenario 1)  
        tailPtr->setPrevNodePtr(0); ②  
    }  
  
    return poppedData;  
}
```

Code 3.2: Peek Operation

```
int peek(){  
    C++  
    Node* lastNodePtr = tailPtr->getPrevNodePtr();  
    if (lastNodePtr != 0)  
        return lastNodePtr->getData();  
    else  
        return -100000; // empty stack  
}
```

Code 3.3 (C++): String Processing Example

```
#include <string>
#include <cstring> // to get the character array of a string
#include <iostream>
#include <algorithm> // reverse
using namespace std;
```

```
int main(){
```

```
    string originalString;
    cout << "Enter a string: ";
    getline(cin, originalString);
```

To read more than word (a line) as string

```
    string upperCaseString("");
```

Initialize a new string as an empty string

```
    for (int index = 0; index < originalString.size(); index++){
```

```
        char c = originalString[index];
        upperCaseString += toupper(c);
```

To get the uppercase version of a character

```
    }
```

```
    cout << upperCaseString << endl;
```

```
    reverse(originalString.begin(), originalString.end());
```

Reverse the string from its end to its beginning

```
    cout << "reversed string: " << originalString << endl;
```

```
    return 0;
}
```

Parentheses Balance

- By parenthesis, we refer to the following symbols
(), { }, []
- The problem is about checking whether corresponding to each opening parenthesis there is a corresponding closing parenthesis in correct order.
- Examples for balanced parentheses
 - { [] (()) }
 - [({ }) []]
 - ({ } [()])
- Examples for unbalanced parentheses
 - [[)]
 - { () [}

Parentheses Balance (Program Logic)

- Logic to determine whether the parentheses in an expression are balanced or not. (We could use a Linked List or Dynamic Array-based Stack).
 - Input the expression as a string and read it one character at a time.
 - If the character read is a opening parenthesis, then push it into the stack
 - If the character read is a closing parenthesis, then pop the stack and check if the popped symbol is a matching opening parenthesis.
 - If so, continue.
 - Otherwise, stop and say, parenthesis is not balanced.
 - If the character read does not match with any of the above six symbols, then stop the program and say there is an invalid symbol in the input expression.
 - If after reading the entire expression, the stack still remains non-empty, then declare the parenthesis is not balanced.

Code 3.4 (C++): Parentheses Balancing

```
int main(){  
    Stack stack;  
  
    string expression;  
    cout << "Enter an expression: ";  
    cin >> expression;
```

```
    int index = 0;
```

```
    while (index < expression.size()){
```

```
        char symbol = expression[index];
```

```
        if (symbol == '{' || symbol == '(' || symbol == '['){
```

```
            stack.push(symbol);
```

```
            index++;
```

```
            continue;
```

```
        }
```

Note: We will use the implementation of stack using doubly linked list. We will replace all the 'int' in the doubly linked list – based stack code to 'char' as appropriate

Code 3.4 (C++): Parentheses Balancing

```
else if (symbol == '}' || symbol == ')' || symbol == ']){

    char topSymbol = stack.pop();
    if ( (topSymbol == '{' && symbol == '}') ||
        (topSymbol == '(' && symbol == ')') ||
        (topSymbol == '[' && symbol == ']') ){

        index++;
        continue;

    }
    else{

        cout << "parenthesis not balanced!!" << endl;
        return 0;

    }
}
else{

    cout << "Invalid symbol " << symbol << " in the expression!!" << endl;
    return 0;
}
}

if (stack.isEmpty())
    cout << expression << " is balanced!!" << endl;
else
    cout << expression << " is not balanced!!" << endl;

return 0;
}
```

Example (C++) for String Tokenization

(breaking a string into tokens based on delimiters)

Code 3.5

```
#include <iostream>
#include <string>
#include <cstring> // for C-style string processing as character array
using namespace std;

int main(){
    string sample;

    cout << "Enter an expression: ";
    getline(cin, sample);
    char* sampleArray = new char[sample.length()+1];
    strcpy(sampleArray, sample.c_str());
    char* cptr = strtok(sampleArray, ", ");

    int numSymbols = 0;
    int sumIntegers = 0;
```

In this example program, we will count the number of Symbols and the sum of the integers that appear in an input string 'sample'

Get a line of words as a string, sample
Create a character array of size one more than the length of the string and copy the elements from the string 'sample' to the Character array 'sampleArray'

Set up a tokenizer for the character Array with , and blank space as Delimiters. The tokenizer will return Tokens as character arrays (strings)

```

while (cptr != 0){
    string token(cptr);
    if ( (token.compare("@") == 0) ||
        (token.compare("!") == 0) ||
        (token.compare("#") == 0) ||
        (token.compare("$") == 0) ||
        (token.compare("%") == 0) ){
        numSymbols++;
    }
    else{
        int value = stoi(token);
        sumIntegers += value;
    }

    cptr = strtok(NULL, ",");
}

cout << "number of operators: " << numSymbols << endl;
cout << "sum of the integers: " << sumIntegers << endl;

return 0;
}

```

Code 3.5 (C++)

Run the while loop unless the pointer Corresponding to a token (character array) is NULL

Generate a string 'token' corresponding to the Character array

The 'compare' function returns 0 if the two strings are equal

Keep track of the number of symbols

The 'stoi' function converts a string to the integer representing it. For example, if '13' is the string token, it is now transformed to an integer 'value'

Syntax of the strtok function to read the next token in the original string

Order of Operation (Operator Precedence)

- 1) Parenthesis: (), { }, []
- 2) Exponent: In case of a tie, we evaluate from right to left.
Example: $3^{2^4} = 3^{16} = 43046721$
- 3) Multiplication and Division: Break the tie, by evaluating from left to right.
- 4) Addition and Subtraction: Break the tie, by evaluating from left to right.

Example:

- 1) $5 + 8 / 4 = 5 + 2 = 7$
- 2) $12 / 6 * 3 = 2 * 3 = 6$
- 3) $4 * 5 / 2 - 7 + 3$
 $= 20 / 2 - 7 + 3$
 $= 10 - 7 + 3$
 $= 3 + 3 = 6$
- 4) $4 * \{5 / (2 - 7) + 3\}$
 $= 4 * \{5 / (-5) + 3\}$
 $= 4 * \{-1 + 3\} = 8$

Infix, Prefix and Postfix

- Infix: LeftOperand **<Operator>** RightOperand
 - Example: $2 + 3$
- Prefix: **<Operator>** LeftOperand RightOperand
 - Example: $+ 2 3$
- Postfix: LeftOperand RightOperand **<Operator>**
 - Example: $2 3 +$
- Infix expressions use the order of operation to break the ties.
- Prefix and Postfix expressions do not require the order of operation.
 - In both prefix and postfix expressions, each operand will be associated only with one operator and hence no need to use rules of operator precedence.
 - **For example:** consider $a + b * c$: this expression (infix notation) needs to use operator precedence for evaluation
 - $+ a * b c$ is the prefix notation and $abc*+$ is the postfix notation

Evaluation of Postfix Expression

Consider an infix expression: $A * B + C * D - E$

If evaluated in infix, the expression needs to be evaluated as follows:

$$(A * B) + (C * D) - E$$

$$\{ (A * B) + (C * D) \} - E$$

Converting this to postfix

$$(AB^*) + (CD^*) - E$$

$$(AB^*) (CD^*) + - E$$

$$(AB^*) (CD^*) + E -$$

Removing the parenthesis, the final postfix expression is: AB^*CD^*+E-

Evaluation Logic:

Scan the expression from left to right.

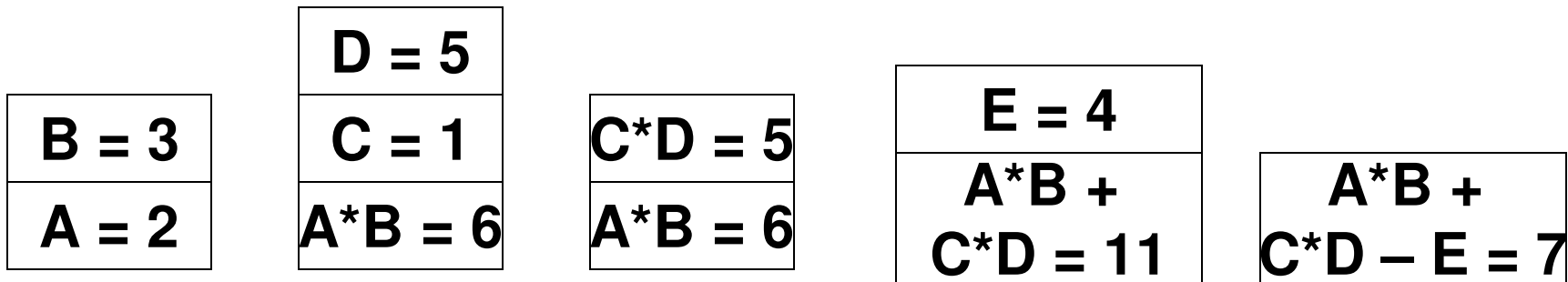
If we see an operand in the expression, push it into the stack.

If we see an operator, we pop the last two items from the stack, apply the operator on the two popped items (**the first popped item will be the right operand and the second popped item will be the left operand**) and push the result of the operation to the stack.

The only item in the stack after reading the entire expression is the value of the expression.

Evaluation of Post-Fix Expression

- Consider the post-fix expression
- AB^*CD^*+E-
- Let $A = 2, B = 3, C = 1, D = 5, E = 4$



Note: During a scan of a post-fix expression, the left operand of an operator goes first into the stack followed by the right operand. Hence, during a pop, the right operand comes first out of the stack, followed by the left operand


```
Stack stack;
```

```
string expression;
```

```
cout << "Enter the expression to evaluate: ";
```

```
getline(cin, expression);
```

```
char* expressionArray = new char[expression.length()+1];
```

```
strcpy(expressionArray, expression.c_str());
```

```
char* cptr = strtok(expressionArray, " ");
```

```
while (cptr != 0){
```

```
    string token(cptr);
```

```
    bool isOperator = false; Check if the token is one of the four operators  
    *, /, +, -; if so, set the 'isOperator' boolean to true
```

```
    if ( (token.compare("*") == 0) || (token.compare("/") == 0) ||  
        (token.compare("+") == 0) || (token.compare("-") == 0) )  
        isOperator = true;
```

```
    if (!isOperator){ If the token is not an operator, we assume  
    It must be an integer, and push it into the  
    Stack.  
        int val = stoi(token);  
        stack.push(val);
```

```
    }
```

Code 3.6

C++ Code for Postfix Evaluation

We will use the
integer-based
doubly linked list
implementation of
stack.

The right operand is popped first followed by the Left operand

Code 3.6 (C++) continued

```
        if (isOperator){
            int rightOperand = stack.pop();
            int leftOperand = stack.pop();
            if (token.compare("*") == 0){
                int result = leftOperand * rightOperand;
                cout << "intermediate result: " << result << endl;
                stack.push(result);
            }
            else if (token.compare("/") == 0){
                int result = leftOperand / rightOperand;
                cout << "intermediate result: " << result << endl;
                stack.push(result);
            }
            else if (token.compare("+") == 0){
                int result = leftOperand + rightOperand;
                cout << "intermediate result: " << result << endl;
                stack.push(result);
            }
            else if (token.compare("-") == 0){
                int result = leftOperand - rightOperand;
                cout << "intermediate result: " << result << endl;
                stack.push(result);
            }
        } //end if
        cptr = strtok(NULL, ", ");
    } // end while
    cout << "final result: " << stack.pop() << endl;
return 0;
}
```

If 'isOperator' is true, then pop the top two integers from the Stack, perform the operation and Push the resulting value to the stack

Set up the next iteration of the while loop by retrieving the next token

The final value of the expression will be the only value in the stack when we exit the while loop.

Evaluation of Prefix Expression

Consider an infix expression: $A * B + C * D - E$

If evaluated in infix, the expression needs to be evaluated as follows:

$$(A * B) + (C * D) - E$$

$$\{ (A * B) + (C * D) \} - E$$

Converting this to prefix

$$(*AB) + (*CD) - E$$

$$+ (*AB) (*CD) - E$$

$$- + (*AB) (*CD) E$$

Removing the parenthesis, the final prefix expression is: $- + *AB* CDE$

Evaluation Logic:

Scan the expression from right to left (or reverse the expression and scan from left to right).

If we see an operand in the expression, push it into the stack.

If we see an operator, we pop the last two items from the stack, apply the operator on the two popped items (**the first popped item will be the left operand and the second popped item will be the right operand**) and push the result of the operation to the stack.

The only item in the stack after reading the entire expression is the value of the expression.

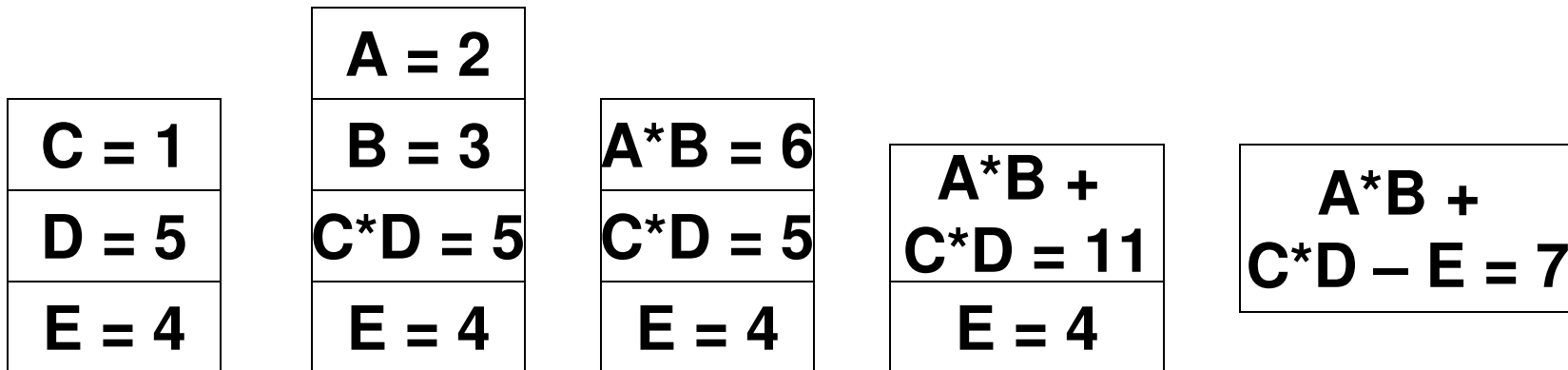
Evaluation of Pre-Fix Expression

- Consider the pre-fix expression

- $- + *AB*CDE$

Read this expression from right to left

- Let $A = 2, B = 3, C = 1, D = 5, E = 4$



Note: During a scan of a pre-fix expression, the right operand of an operator goes first into the stack followed by the left operand. Hence, during a pop, the left operand comes first out of the stack, followed by the right operand